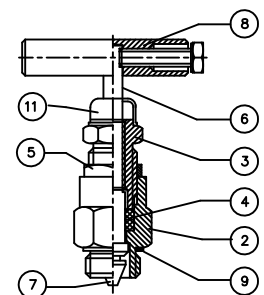
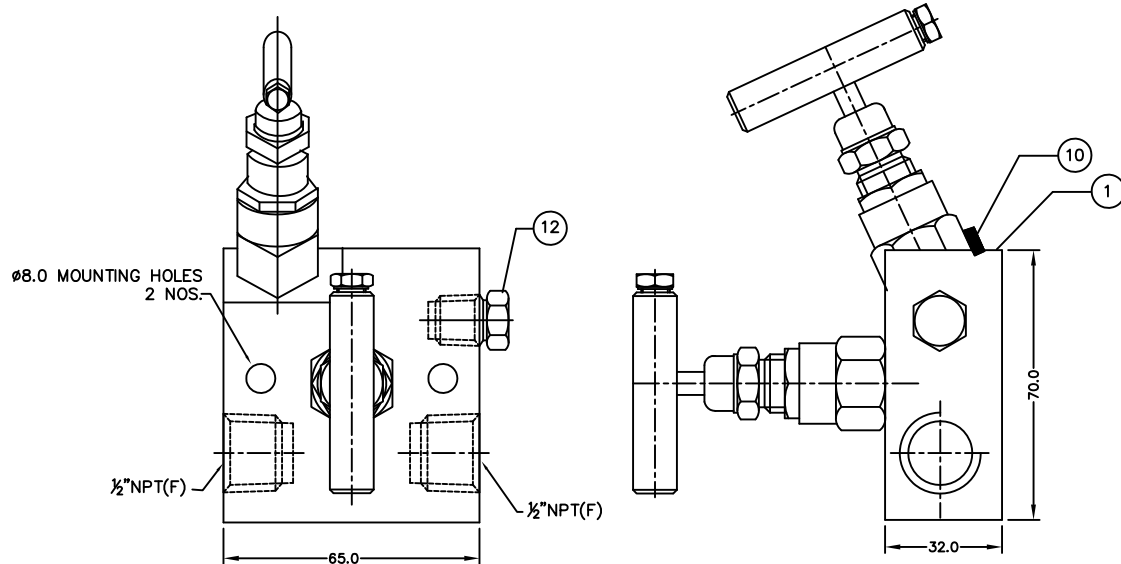
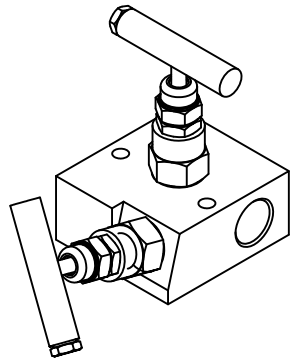


PART No.	PART DESCRIPTION	MATERIAL	QTY
1	BODY	SS 316/SS 316 NACE	1
2	GLAND BODY	SS 316/SS 316 NACE	2
3	GLAND RETAINER	SS 304	2
4	GLAND SEAL	P.T.F.E.	4
5	CHECK NUT	SS 304	2
6	SPINDLE	SS 316/SS 316 NACE	2
7	TRIM	SS 316/SS 316 NACE	2
8	HANDLE	SS 304	2
9	WASHER	S.S.	2
10	LOCK PIN	SS 304	2
11	DUST CAP	P.V.C.	2
12	DRAIN PLUG 1/4"NPT(M)	SS 316/SS 316 NACE	1

**Notes-**



<b>TITLE</b> : 2 VALVE MANIFOLD REMOTE MOUNTED				
<b>Description</b> : 1/2"NPT(Fx F) WITH 1/4"NPT DRAIN				
 INST.	All Dimension Are In Millimeter (MM).	TOLERANCE UNLESS SPECIFIED		
		SCALE: NTS		INCH (0.00")±0.012" (0.000")±0.003"
 PROC.				



DR. BY	JLM	9/19/08	EM591U3331412
CHK. BY			