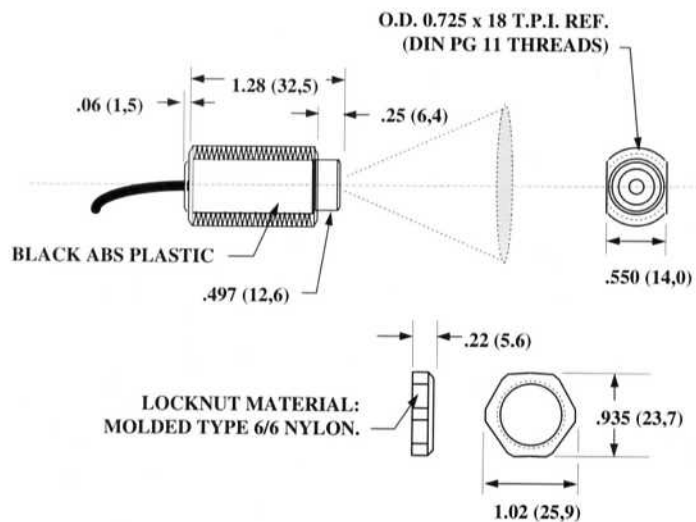


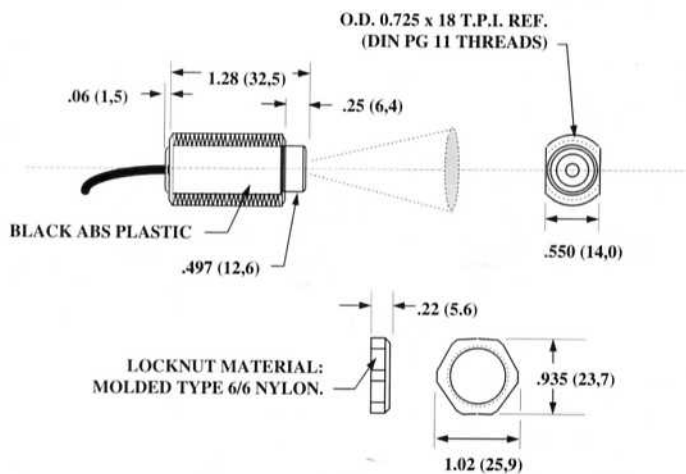
IRt/c.01

1:1 Field-of-View



IRt/c.03

3:1 Field-of-View



	IRt/c.01	IRt/c.03
Sensing Range	-50 to 550°F (-45 to 290°C)	
Ambient Temperature Range	0 to 160°F (-18 to 70°C)	
Optimum Range Selections	Eight models per t/c type (see Temperature Selection Guide)	
Field-of-View	1:1 (60°) approximately	3:1 (17°) approximately
Minimum Spot Size	0.3" (8 mm)	0.25" (6 mm)
Spectral Response	6.5 to 14 μ	
Output Impedance	3 Kohms approx.	4 to 8 Kohms approx.
Cable	Thermocouple extension grade, PVC jacket, unshielded	
Dimensions	1.28" x .71" Dia. (32.5 x 20 mm)	
Weight	1.4 oz (40 g) with cable	
Housing	High strength ABS, hermetically sealed, exceeds NEMA 4,4x; IP65,67, intrinsically safe. Two locknuts supplied.	