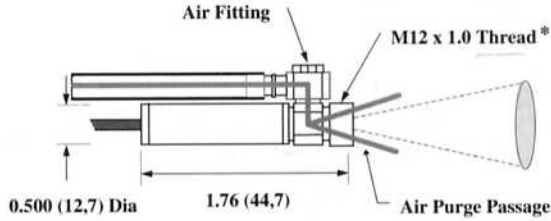


IRt/c.3X

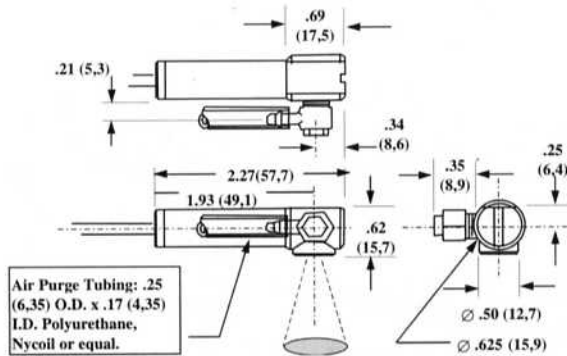
3:1 Field-of-View
Built-in Air Purge



*IRt/c.3X includes ss mounting bracket and locknuts.

IRt/c.3SV

3:1 Field-of-View
Built-in Air Purge



	IRt/c.3X	IRt/c.3SV
Sensing Range	-50 to 1200°F (-45 to 650°C)	
Optimum Range Selections	Eight models per t/c type (see Temperature Selection Guide)	
Field-of-View	3:1 (17°) approximately	
Minimum Spot Size	0.25" (6 mm)	0.2" (5 mm)
Spectral Response	6.5 to 14 μ (2 to 20 μ with IRt/c.3XG germanium lens)	6.5 to 14 μ
Output Impedance	4 to 8 Kohms approx	
Cable	Twisted shielded pair of base thermocouple material (J,K, etc.), 3 ft (.9 m) std length, Teflon sheathed, rated to 392°F (200°C) continuous service.	
Dimensions	1.76" x 0.50" Dia. (44.7 x 12.7 mm)	2.27" x 0.500" Dia. (57.8 x 12.7 mm)
Weight	1.4 oz. (40 g) with cable	1.6 oz (44 g) with cable
Housing	Stainless steel, hermetically sealed, exceeds NEMA 4,4x; IP65,67, cable shield grounded to housing and electrically isolated from signal.	
Air Purge	Built-in; designed for severe paint or ink environment; 3' (0.9 m) of tubing provided.	