

Filters

FT, FB, FI and FW Series



Filters

Filtration Definitions

- ⊙ Sintered element: metal powder (alloys are available) is pressed in a die at sufficient pressure that the powder particles adhere at their contact points.
- ⊙ Strainer element: the strainer is cup-shaped and includes an inner cup-shaped support structure having staggered perforations extending through the surfaces thereof, an outer cup-shaped strainer structure constructed of wire mesh is closely received over the support structure.
- ⊙ Element nominal pore size: the element nominal pore size is normally calculated from the pressure required to cause air to bubble from the largest pore in the filter element when submerged in a test liquid.

Features

Tee-type Filters

FT Series

- ⊙ Filter element replaceable without removing body from system
- ⊙ Union bonnet design
- ⊙ Nominal pore sizes for sintered element: 0.5, 2, 7, 15, 40, 60 and 80 μm
- ⊙ Nominal pore sizes for strainer element: 100, 150, 250 and 450 μm
- ⊙ Working pressure up to: 6000 psig (414 bar)
- ⊙ Working temperature: -20°F to 900°F (-28°C to 482°C)
- ⊙ Body materials: 316 SS, 316L SS, 304 SS, 304L SS, 904L SS and Brass
- ⊙ Variety of end connections available

Bypass Filters

FB Series

- ⊙ Bypass port at filter bottom for the ease of sampling or purging
- ⊙ Union bonnet design
- ⊙ Nominal pore sizes for sintered element: 0.5, 2, 7, 15, 40, 60 and 80 μm
- ⊙ Nominal pore sizes for strainer element: 100, 150, 250 and 450 μm
- ⊙ Working pressure up to: 6000 psig (414 bar)
- ⊙ Working temperature: -20°F to 900°F (-28°C to 482°C)
- ⊙ Body materials: 316 SS, 316L SS, 304 SS, 304L SS, 904L SS and Brass
- ⊙ Variety of end connections available

In-line Filters

FI Series

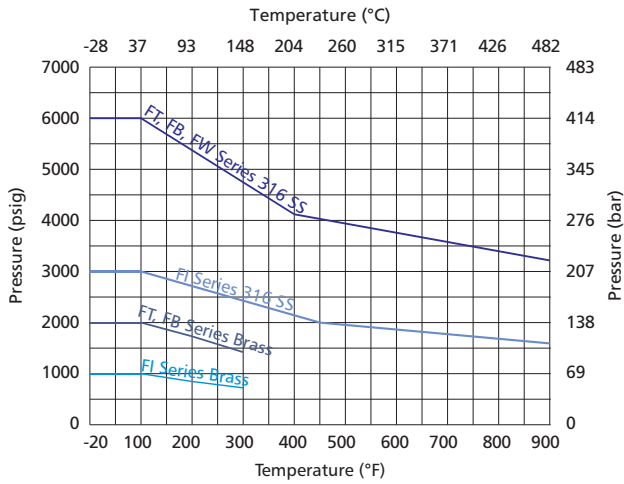
- ⊙ Compact and space-saving design
- ⊙ Nominal pore sizes for sintered element: 0.5, 2, 7, 15, 40, 60 and 80 μm
- ⊙ Nominal pore sizes for strainer element: 100, 150, 250 and 450 μm
- ⊙ Working pressure up to: 3000 psig (207 bar)
- ⊙ Working temperature: -20°F to 900°F (-28°C to 482°C)
- ⊙ Body materials: 316 SS, 316L SS, 304 SS, 304L SS, 321 SS, 904L SS and Brass
- ⊙ Variety of end connections available

All-welded In-line Filters

FW Series

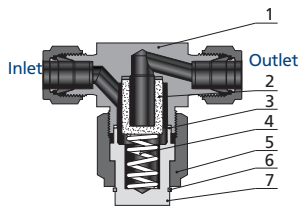
- ⊙ Large filtration area and high flow coefficient
- ⊙ All-welded construction for elimination of leakage
- ⊙ Easy cleaning of filters by backflushing
- ⊙ Full-penetration weld between body and filter element
- ⊙ Nominal pore sizes for sintered element: 0.5 μm
- ⊙ Nominal pore sizes for strainer element: 2, 7, 15 and 40 μm
- ⊙ Working pressure up to: 6000 psig (414 bar)
- ⊙ Working temperature: -20°F to 900°F (-28°C to 482°C)
- ⊙ Body materials: 316 SS, 316L SS, 304 SS, 304L SS and 904L SS
- ⊙ Variety of end connections available

Pressure vs. Temperature

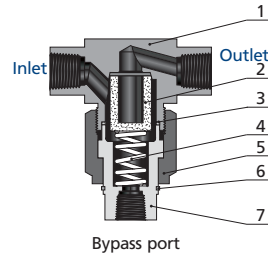


Contact FITOK Group or our authorized distributors for curve graph of other materials.

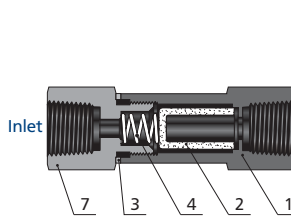
FT Series



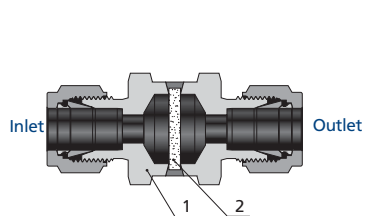
FB Series



FI Series



FW Series



Standard Materials of Construction

Component		Material Grade/ASTM Specification	
		316 SS	Brass
1	Body	F316 SS/A182 (FT, FB Series), 316 SS/A479 (FI, FW Series)	Brass C37700/B283 (FT, FB Series) Brass C36000/B16 (FI Series)
2	Element	Sintered 316 SS or strainer 316 SS	Sintered 316 SS or strainer 316 SS
3	Gasket	316 SS/A479 with PTFE/D1710 coating or silver-plated	PTFE/D1710 or aluminum/B209
4	Spring	302 SS/A313	302 SS/A313
5	Bonnet Nut	316 SS/A479	C36000/B16
6	Backup Ring	Stainless steel	
7	Bonnet	316 SS/A479	C36000/B16

1. FW Series filters not available in brass

2. Lubricants: molybdenum disulfide-based and silicone-based

Maximum Differential Pressure of Clean Filter at 70°F (20°C)

Series	Maximum Differential Pressure psig (bar)										
	0.5 micron	2 micron	7 micron	15 micron	40 micron	60 micron	80 micron	100 micron	150 micron	250 micron	450 micron
FT, FB, FI	1000 (69.0)										
FW	600 (41.4)	100 (6.9)		—							

Filter Elements

Filter elements remove 95 % of particles larger than the nominal pore size.

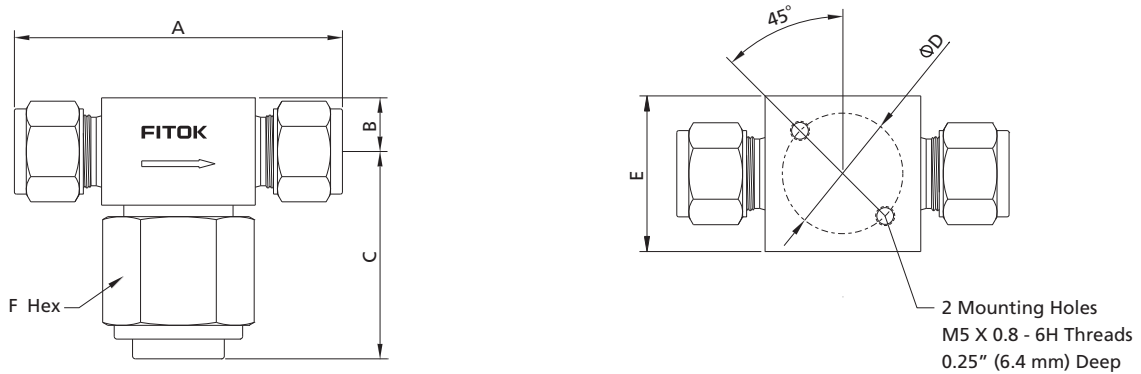
Nominal Pore Size μm	Pore Size Range μm	Element Type
0.5	0.5 to 2	Sintered
2	1 to 4	Sintered or Strainer
7	5 to 10	
15	11 to 25	
40	35 to 53	
60	50 to 75	
80	70 to 95	
100	—	Strainer
150	—	
250	—	
450	—	

Filtration Area

Series	Orifice in. (mm)	Filtration Area in. ² (mm ²)	
		Sintered	Strainer
2FT, 2FB	0.09 (2.0)	1.30 (830)	1.00 (640)
4FT, 4FB	0.17 (4.4)	1.30 (830)	1.00 (640)
6FT, 6FB	0.21 (5.4)	2.00 (1280)	1.70 (1090)
8FT, 8FB	0.25 (6.4)	2.00 (1280)	1.70 (1090)
2FI	0.09 (2.4)	0.55 (350)	—
4FI	0.19 (4.8)	1.30 (830)	1.00 (640)
6FI	0.28 (7.1)	2.00 (1280)	1.70 (1090)
8FI	0.41 (10.3)	2.00 (1280)	1.70 (1090)
4FW	0.19 (4.8)	0.39 (254)	0.39 (254)

Dimensions

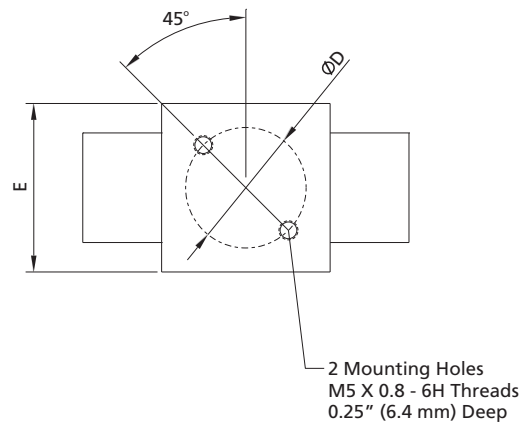
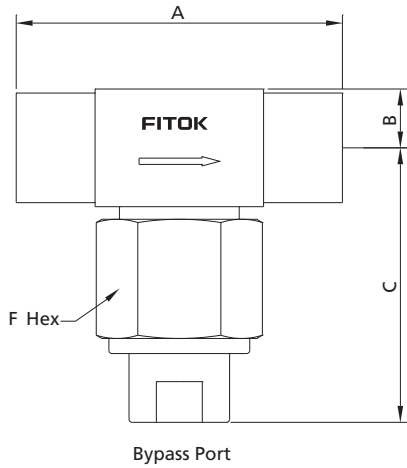
FT Series



Basic Ordering Number	Connection Type and Size		Element Series	Filter Series	Dimensions, in. (mm)					
	Inlet	Outlet			A	B	C	ØD	E	F
FT□□-FL2-	1/8" FITOK	1/8" FITOK	4	4FT	2.27 (57.7)	0.38 (9.7)	1.49 (37.8)	1.00 (25.4)	1.00 (25.4)	1 (25.4)
FT□□-FL4-	1/4" FITOK	1/4" FITOK	4	4FT	2.47 (62.7)					
FT□□-FL6-	3/8" FITOK	3/8" FITOK	8	8FT	2.84 (72.1)	0.46 (11.7)	1.74 (44.2)	1.13 (28.7)	1.13 (28.7)	1 1/8 (28.6)
FT□□-FL8-	1/2" FITOK	1/2" FITOK	8	8FT	3.04 (77.2)					
FT□□-ML6-	6 mm FITOK	6 mm FITOK	4	4FT	2.46 (62.5)	0.38 (9.7)	1.49 (37.8)	1.00 (25.4)	1.00 (25.4)	1 (25.4)
FT□□-ML8-	8 mm FITOK	8 mm FITOK	8	8FT	2.84 (72.1)					
FT□□-ML10-	10 mm FITOK	10 mm FITOK	8	8FT	2.86 (72.6)	0.46 (11.7)	1.74 (44.2)	1.13 (28.7)	1.13 (28.7)	1 1/8 (28.6)
FT□□-ML12-	12 mm FITOK	12 mm FITOK	8	8FT	3.04 (77.2)					
FT□□-TS4-	1/4" TS	1/4" TS	4	4FT	1.68 (42.7)	0.38 (9.7)	1.49 (37.8)	1.00 (25.4)	1.00 (25.4)	1 (25.4)
FT□□-TS6-	3/8" TS	3/8" TS	4	4FT						
FT□□-TB4-	1/4" TB	1/4" TB	4	4FT						
FT□□-TB6-	3/8" TB	3/8" TB	4	4FT						
FT□□-FNS2-	1/8 Female NPT	1/8 Female NPT	4	4FT	2.00 (50.8)	0.38 (9.7)	1.49 (37.8)	1.00 (25.4)	1.00 (25.4)	1 (25.4)
FT□□-FNS4-	1/4 Female NPT	1/4 Female NPT	4	4FT	2.13 (54.1)					
FT□□-NS4-	1/4 Male NPT	1/4 Male NPT	4	4FT						
FT□□-NS6-	3/8 Male NPT	3/8 Male NPT	8	8FT	2.38 (60.5)	0.46 (11.7)	1.74 (44.2)	1.13 (28.7)	1.13 (28.7)	1 1/8 (28.6)
FT□□-NS8-	1/2 Male NPT	1/2 Male NPT	8	8FT	2.75 (69.9)					
FT□□-FR4-	1/4 Male FR	1/4 Male FR	4	4FT	2.30 (58.4)	0.38 (9.7)	1.49 (37.8)	1.00 (25.4)	1.00 (25.4)	1 (25.4)
FT□□-FR8-	1/2 Male FR	1/2 Male FR	8	8FT	2.55 (64.8)					

Mounting holes not available with 1/4 female NPT end connections

FB Series



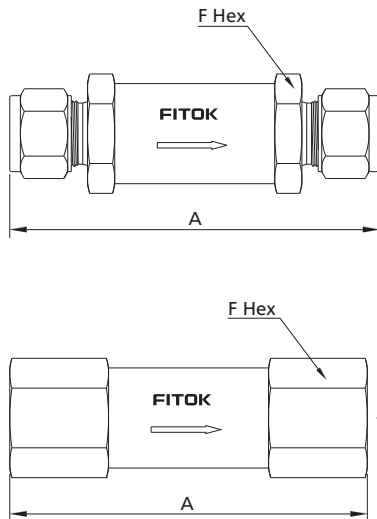
Basic Ordering Number	Connection Type and Size		Element Series	Filter Series	Dimensions, in. (mm)						
	Inlet	Outlet			A	B	C	ØD	E	F	Bypass Port
FB□□-FL2-	1/8" FITOK	1/8" FITOK	4	4FB	2.27 (57.7)	0.38 (9.7)	1.98 (50.2)	1.00 (25.4)	1.00 (25.4)	1 (25.4)	FL2
FB□□-FL4-	1/4" FITOK	1/4" FITOK	4	4FB	2.47 (62.7)		2.44 (61.9)				FL4
FB□□-FL6-	3/8" FITOK	3/8" FITOK	8	8FB	2.84 (72.1)	0.46 (11.7)	2.74 (69.1)	1.13 (28.7)	1.13 (28.7)	1 1/8 (28.6)	FL6
FB□□-FL8-	1/2" FITOK	1/2" FITOK	8	8FB	3.04 (77.2)		2.96 (74.2)				FL8
FB□□-ML6-	6 mm FITOK	6 mm FITOK	4	4FB	2.46 (62.5)	0.38 (9.7)	2.44 (61.9)	1.00 (25.4)	1.00 (25.4)	1 (25.4)	FL4
FB□□-ML8-	8 mm FITOK	8 mm FITOK	8	8FB	2.84 (72.1)	0.46 (11.7)	2.74 (69.1)	1.13 (28.7)	1.13 (28.7)	1 1/8 (28.6)	FL6
FB□□-ML10-	10 mm FITOK	10 mm FITOK	8	8FB	2.86 (72.6)		2.96 (74.2)				FL8
FB□□-ML12-	12 mm FITOK	12 mm FITOK	8	8FB	3.04 (77.2)						
FB□□-TS4-	1/4" TS	1/4" TS	4	4FB	1.68 (42.7)	0.38 (9.7)	1.83 (56.4)	1.00 (25.4)	1.00 (25.4)	1 (25.4)	TB4
FB□□-TS6-	3/8" TS	3/8" TS	4	4FB							
FB□□-TB4-	1/4" TB	1/4" TB	4	4FB							
FB□□-TB6-	3/8" TB	3/8" TB	4	4FB							
FB□□-FNS2-	1/8 Female NPT	1/8 Female NPT	4	4FB	2.00 (50.8)	0.38 (9.7)	1.71 (43.4)	1.00 (25.4)	1.00 (25.4)	1 (25.4)	FNS2
FB□□-FNS4-	1/4 Female NPT	1/4 Female NPT	4	4FB	2.13 (54.1)						
FB□□-NS4-	1/4 Male NPT	1/4 Male NPT	4	4FB							
FB□□-NS6-	3/8 Male NPT	3/8 Male NPT	8	8FB	2.38 (60.5)	0.46 (11.7)	2.00 (50.8)	1.13 (28.7)	1.13 (28.7)	1 1/8 (28.6)	
FB□□-NS8-	1/2 Male NPT	1/2 Male NPT	8	8FB	2.75 (69.9)						
FB□□-FR4-	1/4 Male FR	1/4 Male FR	4	4FB	2.38 (60.5)	0.38 (9.7)	2.44 (61.9)	1.00 (25.4)	1.00 (25.4)	1 (25.4)	FL4
FB□□-FR8-	1/2 Male FR	1/2 Male FR	8	8FB	2.75 (69.9)	0.46 (11.7)	2.96 (74.2)	1.13 (28.7)	1.13 (28.7)	1 1/8 (28.6)	FL8

Mounting holes not available with 1/4 female NPT end connections

Filters

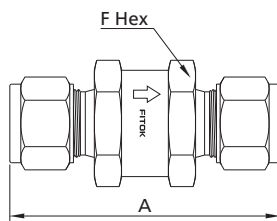
B-168 Filters

FI Series



Basic Ordering Number	Connection Type and Size		Element Series	Filter Series	Dimensions in. (mm)	
	Inlet	Outlet			A	F
FI□□-FL2-	1/8" FITOK	1/8" FITOK	2	2FI	2.35 (59.7)	9/16 (14.3)
FI□□-FL4-	1/4" FITOK	1/4" FITOK	4	4FI	2.95 (74.9)	3/4 (19.1)
FI□□-FL6-	3/8" FITOK	3/8" FITOK	8	8FI	3.21 (81.5)	1 (25.4)
FI□□-FL8-	1/2" FITOK	1/2" FITOK	8	8FI	3.49 (88.6)	
FI□□-ML3-	3 mm FITOK	3 mm FITOK	2	2FI	2.38 (60.5)	9/16 (14.3)
FI□□-ML6-	6 mm FITOK	6 mm FITOK	4	4FI	2.96 (75.2)	3/4 (19.1)
FI□□-FNS2-	1/8 Female NPT	1/8 Female NPT	2	2FI	2.16 (54.9)	9/16 (14.3)
FI□□-FNS4-	1/4 Female NPT	1/4 Female NPT	4	4FI	2.87 (72.9)	3/4 (19.1)
FI□□-NS2-	1/8 Male NPT	1/8 Male NPT	2	2FI	1.88 (47.7)	9/16 (14.3)
FI□□-NS4-	1/4 Male NPT	1/4 Male NPT	4	4FI	2.69 (68.3)	3/4 (19.1)
FI□□-FR2-	1/8 Male FR	1/8 Male FR	2	2FI	2.79 (70.8)	
FI□□-FR4-	1/4 Male FR	1/4 Male FR	4	4FI		
FI□□-FRT2-	1/8 Female BSPT	1/8 Female BSPT	2	2FI	2.16 (54.9)	9/16 (14.3)
FI□□-FRT4-	1/4 Female BSPT	1/4 Female BSPT	4	4FI	2.87 (72.9)	3/4 (19.1)
FI□□-RT2-	1/8 Male BSPT	1/8 Male BSPT	2	2FI	1.88 (47.7)	9/16 (14.3)
FI□□-RT4-	1/4 Male BSPT	1/4 Male BSPT	4	4FI	2.69 (68.3)	3/4 (19.1)

FW Series

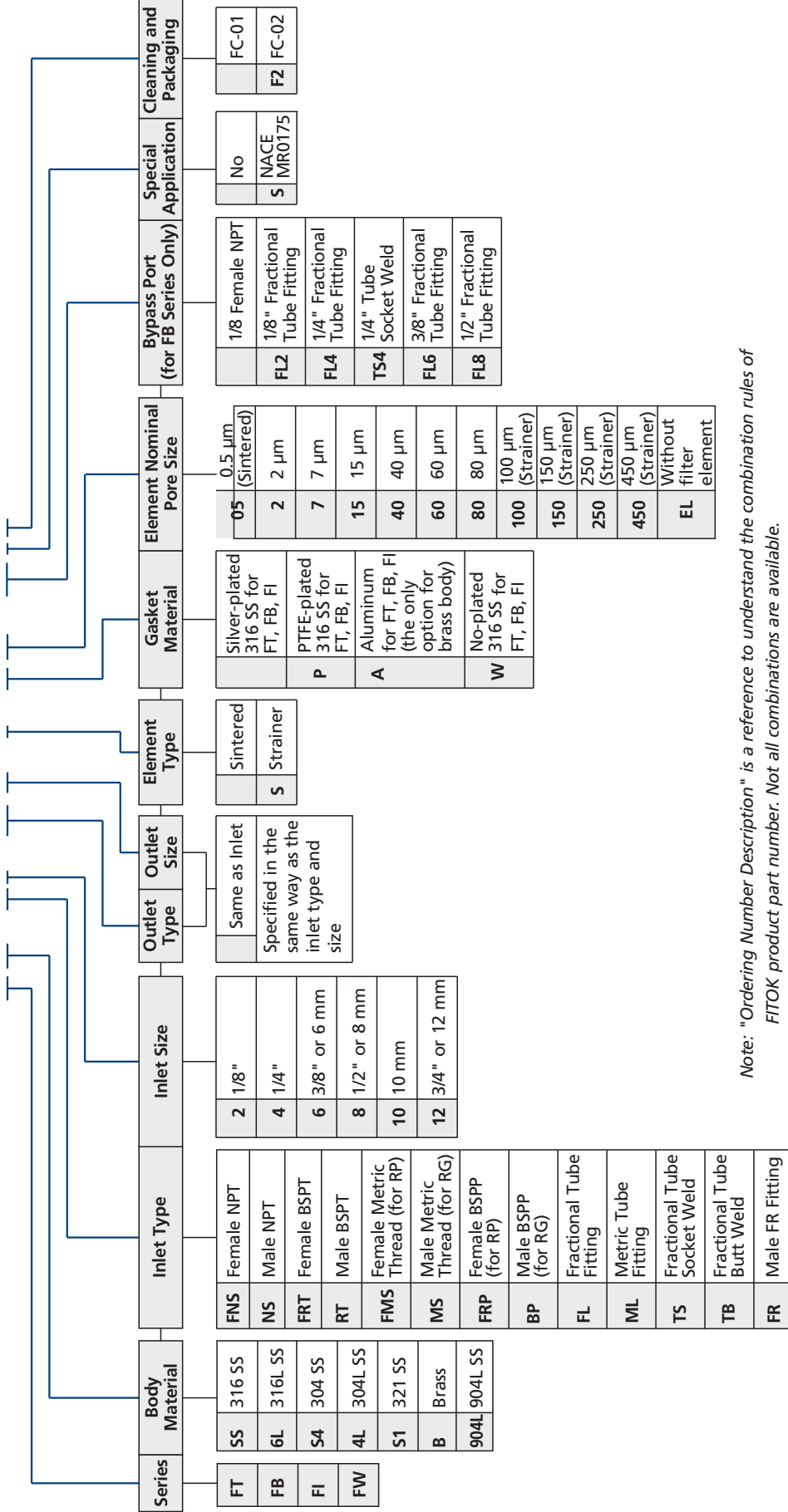


Basic Ordering Number	Connection Type and Size		Orifice in. (mm)	Dimensions in. (mm)	
	Inlet	Outlet		A	F
FW□□-FL4-	1/4" FITOK	1/4" FITOK	0.19 (4.75)	2.15 (54.6)	1 (25.4)
FW□□-ML6-	6 mm FITOK	6 mm FITOK			
FW□□-FNS4-	1/4 Female NPT	1/4 Female NPT	0.45 (11.5)	1.57 (39.9)	
FW□□-NS4-	1/4 Male NPT	1/4 Male NPT	0.28 (7.14)	1.89 (48.0)	
FW□□-FR4-	1/4 Male FR	1/4 Male FR	0.19 (4.75)	2.04 (51.8)	

1. FITOK means FITOK double ferrule tube fittings, FR means metal gasket seal fittings, TS means fractional tube socket weld, TB means fractional tube butt weld.
2. Sizes and types listed are standard. Other sizes and types are available upon request.
3. Dimensions are shown with FITOK nuts finger-tightened. All dimensions are for reference only and are subject to change. For dimensions not shown above, please contact FITOK Group or our authorized distributors.

Filters Ordering Number Description

FBSS – FL8 – ML10 – S – P150 – FL4SF2



Note: "Ordering Number Description" is a reference to understand the combination rules of FITOK product part number. Not all combinations are available.

1. Standard thread pitch for metric threads are as follows:

- M10 and below: 1 mm
- M12 to M24: 1.5 mm
- M27 and above: 2 mm

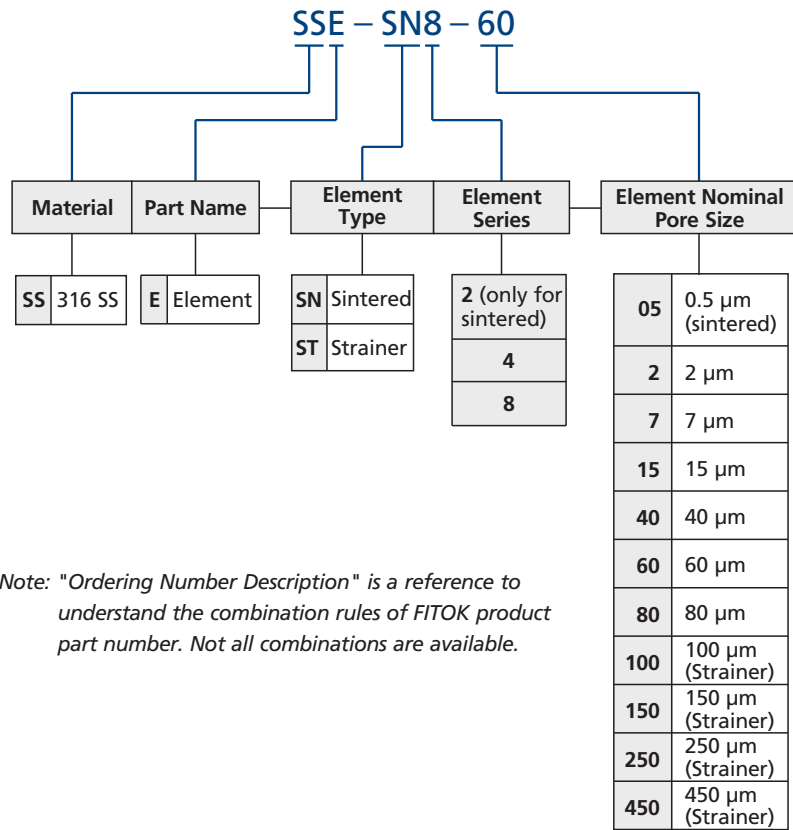
Standard thread pitch should be ignored in the ordering number, others should be specified.

2. Cleaning and Packaging:

FC-01 Standard cleaning and packaging for basic industrial procedures.

FC-02 Special cleaning and packaging for wetted system components to ensure compliance requirement as stated in ASTM G93 Level C.

Elements Ordering Number Description



FITOK Group

FITOK GmbH (Headquarter)

Sprendlinger Landstr. 115, 63069 Offenbach am Main, Germany
Tel.: +49 69 8900 4498 Fax: +49 69 8900 4495

FITOK, Inc.

13843 North Promenade Blvd., Suite 750, Stafford, Texas 77477, USA
Tel.: +1 281 888 0077 Fax: +1 281 582 4051

FITOK Incorporated

Block C, Zone E, Yingtai Industrial Park, Dalang
Street, Longhua District, Shenzhen, 518109, China
Tel.: +86 755 2803 2500 Fax: +86 755 2803 2619

FITOK Middle East Oil Equipment Trading LLC

208-209, Makateb Building, Airport Road, P.O.Box 185412, Deira, Dubai, UAE
Tel.: +971 4 2959 853 Fax: +971 4 2959 854

info@fitokgroup.com
www.fitokgroup.com

FK-IC-GV-13-EN-180910