

Electronic Turbine Meter TERZ 94



PRODUCT INFORMATION

**Serving the Gas Industry
Worldwide**



ELECTRONIC TURBINE METER TERZ 94

Method of operation, construction

Method of operation

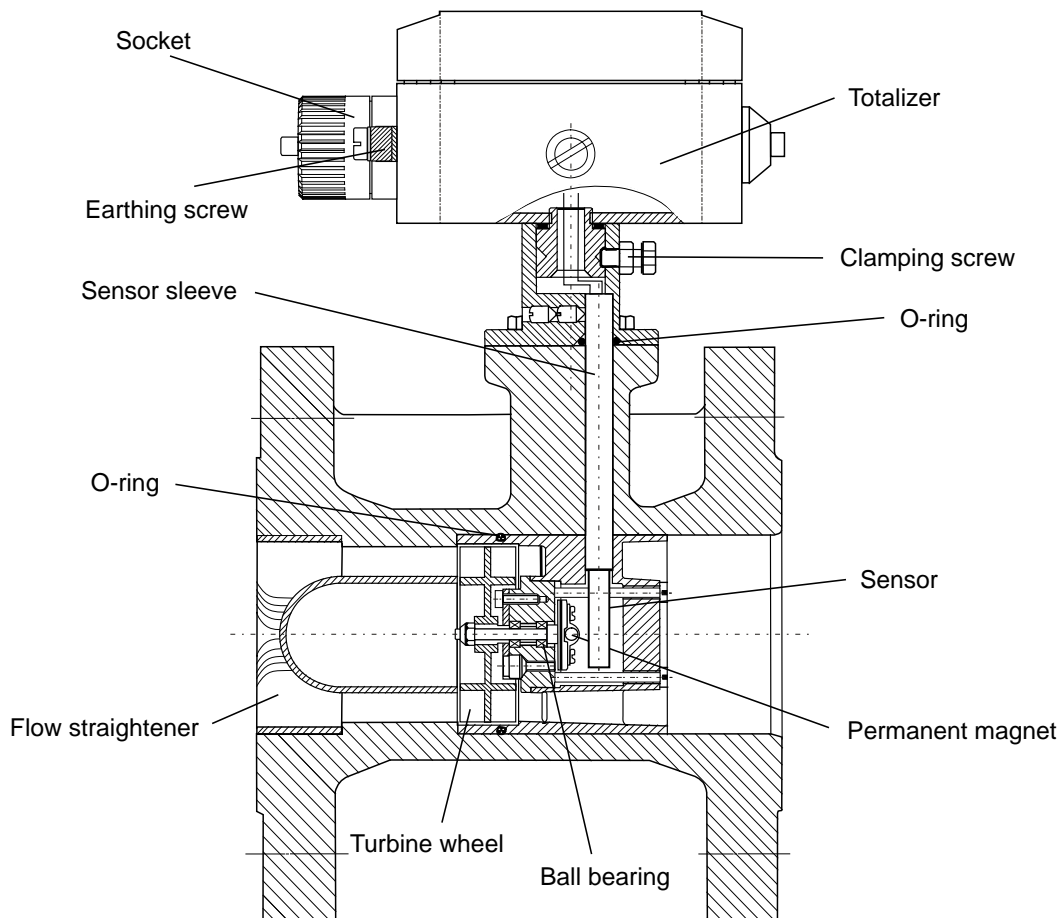
The TERZ 94 electronic turbine meter is a flow meter which directly measures the flow rate of gases at measurement conditions. The flow rate measured and the volume are displayed on an electronic totalizer.

The operating principle of the meter is based on velocity measurement using a turbine wheel. The gas flow passes the ring-shaped inlet section of the flow straightener and reaches the coaxially mounted turbine wheel, whose speed is proportional to the mean velocity of the gas flow within the scope of the measuring range.

The speed of the turbine wheel is recorded inductively using non-contact measurement by a pulse-wire sensor and a permanent magnet. Due to the fact that the signal frequency is directly picked up at the turbine wheel, the meter is also suitable for control applications.

Construction

The electronic turbine meters form a series of uniform construction. Each meter consists of four structural units (see drawing). An aerodynamic flow straightener fitted into the meter case constricts the effective cross section of the pipe to form a ring-shaped cross-sectional area and substantially eliminates turbulence. This increases the velocity of the flowing gas. The shaft mounted with ball bearings carries the turbine wheel on the one side and a permanent magnet rotating before the sensor on the other. The duct of the sensor sleeve towards the unpressurized section of the electronic totalizer is sealed off by a pressure-tight O-ring. By means of the clamping screw, the electronic totalizer can be fixed in the most favourable position for taking readings.



Features

Electronic totalizers

(Main totalizer, additional start-stop or resettable totalizer for external totalizer disablement in order to suppress the slow-down effect of the turbine wheel after the gas flow has stopped.)

2 sensor inputs (option)
with mutual monitoring

Battery mode (version without a current board)
Service life of the battery is a minimum of 6 years.

4-20 mA current output (transmitter)
(only with the version with a current board)

Low-torque metering system with long-term stability
(apart from the turbine wheel, there are no mechanically actuated parts)

LF and HF pulse outputs
(The pulse value of the LF pulse output is user-programmable.)

Intrinsically safe circuit, approved for zone 1

Degree of protection: IP 65

Flow display

Storage of maximum values (Qm)

Temperature ranges (standard)

Fluid temperature range: -10°C to +50°C

Ambient temperature range: -20°C to +60°C

**Pressure rating: PN 10 through PN 100,
ANSI 150 through ANSI 600**

Special designs with a higher pressure rating are possible.

Compact construction with a rotatable meter head

Option for use as a remote totalizer

Alarm output (option)

Electronic totalizer

Possible connections of the electronic totalizer:

HF pulse output (high frequency) direct signal frequency	LF pulse output (low frequency) decade-scaled	Switch input for stopping the totalizer	4-20 mA current output Version with a current board (option)
Transistor, open collector	Transistor, open collector	Switching contact (potential-free)	Current loop connection (4-20 mA, 2-wire technology)
U _{max} = 28 V (Ex) 30 V (Non-Ex)	U _{max} = 28 V (Ex) 30 V (Non-Ex)	Totalizer stop: closed contact	U _{max} = 28 V
U _{min} = 4.0 V	U _{min} = 4.0 V		U _{min} = 12 V
I _{max} = 30 mA	I _{max} = 30 mA		I _{max} = 23 mA
T _{pulse} = 1 ms	T _{pulse} = 125 oder 250 ms		I _{min} = 3.5 mA
f _{max} = 250 Hz For frequency values, see table below Overview section	f _{max} = 4 Hz For possible setting values, see table below Overview section		Error less than 1% of the final value. External power supply unit required.

ELECTRONIC TURBINE METER TERZ 94

Types of gas, measuring accuracy, maintenance, approvals

Types of gas

The TERZ 94 standard design is suitable for all gases complying with DVGW Code of Practice G260. The materials used are appropriate for gases and fuel gases, such as natural gas, refinery gas, liquid gases and their mixtures, nitrogen, CO₂ (dry), air and all inert gases. For corrosive and chemical gases, there are special designs available with PTFE lining, special material, special lubrication, etc.

Maintenance

All turbine meters up to and including the nominal size of DN 150 are fitted with permanently lubricated bearings and require no maintenance. From the nominal size of DN 200, the meters are fitted with a lubricator. Lubrication has to be performed in compliance with the operating instructions (see also lubrication instruction plate on the meter).

Measuring accuracy

Measuring error:	Q_{\min} to $0.2 \cdot Q_{\max}$	$0.2 \cdot Q_{\max}$ to Q_{\max}
DN 25:	$\pm 3\%$	$\pm 2\%$
DN 40, DN 50:	$\pm 3\%$	$\pm 1.5\%$
DN 80:	$\pm 3\%$	$\pm 1\%$
\geq DN 100:	$\pm 2\%$	$\pm 1\%$

Reproducibility: $\leq \pm 0.5\%$

Approvals

II 2 G EEx ib[ia] II C T4 / T3

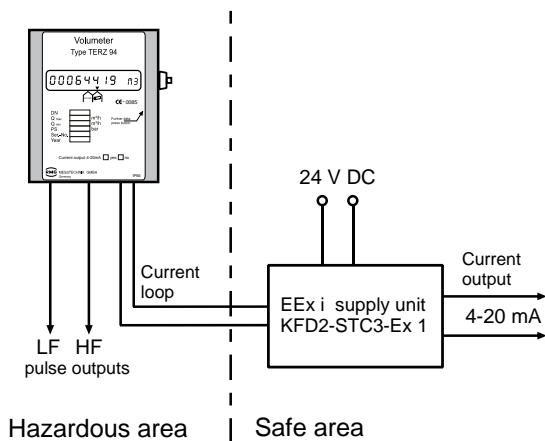
as per certificate of conformity No.:

TÜV 02 ATEX 1970

DVGW product ID No.: CE-0085BN0292

(Testing in accordance with the Directive for Pressure Equipment 97/23/EG)

Connection of the current output (example for installation in areas subject to explosion hazards)



4-20 mA current output (option)

The TERZ 94 version with a current board has a current-loop connection (4-20 mA, 2-wire technology). A power supply unit and, if appropriate, a 24 V power pack are required to power the device and output a current. In addition, a backup battery can be provided as an emergency power supply.

Overview

Nominal size DN		Measuring range $Q_{min} - Q_{max}$	Pulse value		Pressure loss Δp	Lubrication	
mm	in.		LF1)	HF2)		permanently lubricated	oil pump
25	1	2.5 - 25	10/100	13450	3	•	
40	1½	6 - 70	1/10/100	7800	4	•	
50	2	6 - 100	1/10/100	7800	5	•	
80	3	13 - 160	0.1/1/10	2375	3	•	
	3	16 - 250	0.1/1/10	2375	6	•	
	3	25 - 400	0.1/1	1250	14	•	
100	4	25 - 400	0.1/1/10	1060	4	•	
	4	40 - 650	0.1/1/10	600	10	•	
150	6	40 - 650	0.1/1/10	330	3	•	
	6	65 - 1000	0.1/1/10	330	6	•	
	6	100 - 1600	0.1/1	190	12	•	
200	8	100 - 1600	0.1/1	135	3		•
	8	160 - 2500	0.1/1	80	8		•
250	10	160 - 2500	0.1/1	75	3		•
	10	250 - 4000	0.1/1	44	7		•
300	12	250 - 4000	0.1/1	48	4		•
	12	400 - 6500	0.1/1	28	9		•
400	16	400 - 6500	0.1/1	24	3		•
	16	650 - 10000	0.1/1	14	8		•
500	20	650 - 10000	0.1/1	12	4		•
	20	1000 - 16000	0.01/0.1	7	9		•
600	24	1000 - 16000	0.01/0.1	6	4		•
	24	1600 - 25000	0.01/0.1	4	9		•

1) Standard values (set in the factory) are shown in bold type.
 2) Approximate value; the exact value is determined during calibration.

Pressure loss

The pressure loss Δp stated in the table applies to natural gas at Q_{max} and 1 bar(a). From this, the pressure loss at measurement conditions can be calculated in accordance with the formula below.

Pressure loss as per the formula

$$\Delta p_m = \Delta p \cdot \frac{\rho_n}{0.83} \cdot p_m \cdot \left(\frac{Q_m}{Q_{max}} \right)^2$$

Δp_m = Pressure loss at measurement conditions (p_m , Q_m) in mbar

Δp = Pressure loss at Q_{max} and natural gas at 1 bar in mbar (see table)

ρ_n = Standard density of the process gas (kg/m³)

p_m = Pressure at measurement conditions in bar(a)

Q_m = Flow rate at measurement conditions (m³/h)

Q_{max} = Maximum flow rate

Example:

Air, nominal meter size DN 100,
 measuring range 20 - 400 m³/h, $p_m = 1.1$ bar(abs),
 $\rho_n = 1.29$ kg/m³, $Q_m = 250$ m³/h.
 Take from the table: $\Delta p = 4$ mbar

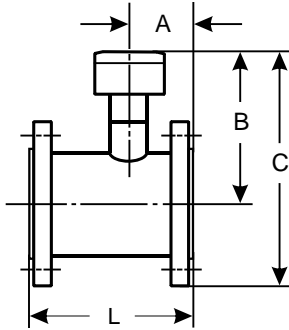
Hence:

$$\Delta p_m = 4 \cdot \frac{1.29}{0.83} \cdot 1.1 \cdot \left(\frac{250}{400} \right)^2 \text{ mbar} = 2.7 \text{ mbar}$$

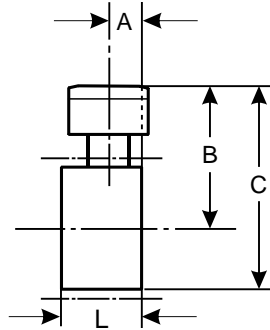
ELECTRONIC TURBINE METER TERZ 94

Types of constructions and dimensions

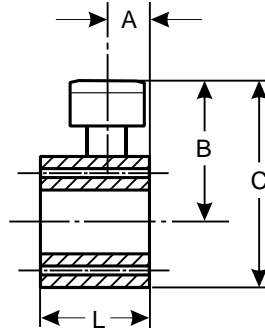
Types of construction and dimension



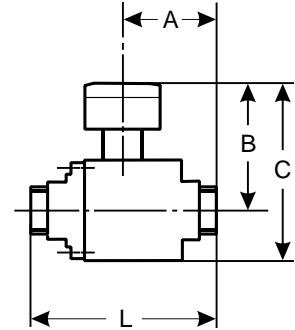
Flanged-end design (F)



Sandwich design (S)
(Adaptor-flange mounting)



Monoflange design (M)



Threaded-end design (G)
(only aluminium case)

Case design	Weights and measures						Pressure rating			
	Nominal size mm	L mm	A mm	B mm	C mm	Weight kg ¹⁾	PN 10 PN 16	ANSI 150	ANSI 300	ANSI 600
G Threads	25 ²⁾	185	80	145	195	4	Alu ⁵⁾			
	40 ³⁾	140	80	145	195	4	Alu ⁵⁾			
F Flanges	50	150	60	180	265	10	•	•	•	
	80	120	35	215	315	14	•	•		
	100	150	50	225	345	25	•	•		
	150	175	70	225	410	40	•	•		
	200	200	70	280	470	60	•	•		
	250	300	135	320	540	70	•	•		
	300	300	95	325	580	100	•	•		
		450	200	325	610	200			•	•
	400	600	145	335	650	180	•	•		
		600	345	335	680	400			•	•
500	750	110	385	760	300	•	•			
	750	260	385	810	650			•	•	
600	900	130	440	870	400	•	•			
	900	280	440	920	850			•	•	
M Monoflanges	50	80	60	175	255	15				•
	80	120	35	200	300	35			•	•
	100	150	50	225	335	50			•	•
	150	175	70	270	445	100			•	•
	200	200	70	305	510	130			•	•
	250	250	85	345	590	200			•	•
S Sandwich	50	80	30	145	195	12 ⁴⁾	Alu	•		
	80	120	30	200	280	20	•	•		
	100	150	50	220	330	30	•	•		
	150	175	70	250	400	50	•	•		
	200	200	70	280	450	70	•	•		
	250	280	85	315	530	110	•	•		

1) The weights are approximate values. Devices with a lower pressure rating can have a lower weight.

Special designs on request

2) External thread R 1½"; with coupling kit: internal thread Rp1 ISO 7-1, overall length 243 mm

3) External thread R 2¼"; with coupling kit: internal thread Rp1½ ISO 7-1, overall length 206 mm

4) 4 kg for PN 10 and PN 16 (aluminium case)

5) max. pressure for combustible gases: 5 bar

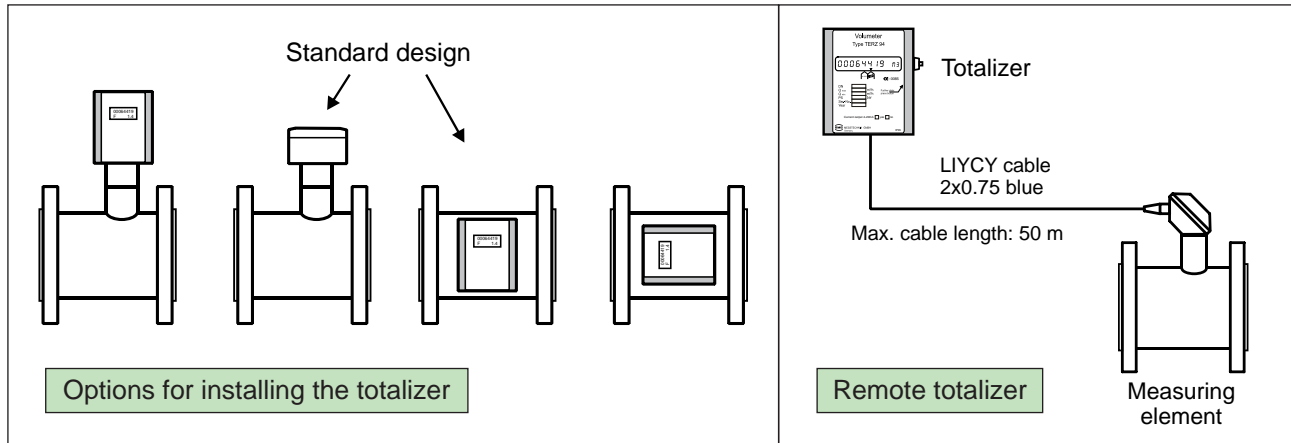
ELECTRONIC TURBINE METER TERZ 94

Options for installing the electronic totalizer, device variants

Options for installing the electronic totalizer

By installing the electronic totalizer in different ways, optimum readings can be taken in any position. If no

special type of installation is specified, the totalizer is to be installed in accordance with the figure below.



Device variants

Our product range also includes the following device types which are based on the electronics of the TERZ 94:

TRZ03-TE/TEL electronic turbine meter

1 or 2 channels, measuring element as with the TERZ 94, but incorporated into the housing of the TRZ 03 or TRZ 03-L. The 2-channel version has been approved for custody transfer measurement (PTB 7.211/02.13).

EC 24 volume corrector

Directly installed on a turbine meter or volumeter with electronic measuring element (Wiegand sensors) or 1-channel version installed together with a (separate) mechanical totalizer (volume pulses from reed contact). The EC 24 includes a Vm totalizer and a corrector function with measured pressure and temperature values. The pressure transmitter is incorporated into the housing.

All variants receiving signals from Wiegand sensors, i.e. all variants which are directly installed on the meter, have LF and HF pulse outputs and are available as devices with a current output.



EC 24 volume corrector

For More Information

To learn more about RMG's advanced gas solutions, contact your RMG account manager or visit www.rmg.com

GERMANY

Honeywell Process Solutions

RMG Regel + Messtechnik GmbH
Osterholzstrasse 45
34123 Kassel, Germany
Tel: +49 (0)561 5007-0
Fax: +49 (0)561 5007-107

Honeywell Process Solutions

RMG Messtechnik GmbH
Otto-Hahn-Strasse 5
35510 Butzbach, Germany
Tel: +49 (0)6033 897-0
Fax: +49 (0)6033 897-130

Honeywell Process Solutions

RMG Gaselan Regel + Messtechnik GmbH
Julius-Pintsch-Ring 3
15517 Fürstenwalde, Germany
Tel: +49 (0)3361 356-60
Fax: +49 (0)3361 356-836

Honeywell Process Solutions

WÄGA Wärme-Gastechnik GmbH
Osterholzstrasse 45
34123 Kassel, Germany
Tel: +49 (0)561 5007-0
Fax: +49 (0)561 5007-207

POLAND

Honeywell Process Solutions

Gazomet Sp. z o.o.
ul. Sarnowska 2
63-900 Rawicz, Poland
Tel: +48 (0)65 5462401
Fax: +48 (0)65 5462408

ENGLAND

Honeywell Process Solutions

Bryan Donkin RMG Gas Controls Ltd.
Enterprise Drive, Holmewood
Chesterfield S42 5UZ, England
Tel: +44 (0)1246 501-501
Fax: +44 (0)1246 501-500

CANADA

Honeywell Process Solutions

Bryan Donkin RMG Canada Ltd.
50 Clarke Street South, Woodstock
Ontario N4S 0A8, Canada
Tel: +1 (0)519 5398531
Fax: +1 (0)519 5373339

USA

Honeywell Process Solutions

Mercury Instruments LLC
3940 Virginia Avenue
Cincinnati, Ohio 45227, USA
Tel: +1 (0)513 272-1111
Fax: +1 (0)513 272-0211

TURKEY

Honeywell Process Solutions

RMG GAZ KONT. SIS. ITH. IHR. LTD. STI.
Birlik Sanayi Sitesi, 6.
Cd. 62. Sokak No: 7-8-9-10
TR - Sasmaz / Ankara, Turkey
Tel: +90 (0)312 27810-80
Fax: +90 (0)312 27828-23

