

# Multilin™ MM200

## Low Voltage Motor Protection and Control

The Multilin MM200 is a digital motor protection and control system, designed for low voltage motor applications that integrates protection, control and multiple communication protocols in a rugged compact device. Easily integrated into new and existing control system architectures, the Multilin MM200 provides comprehensive low voltage motor protection and communications for all types of motor protection applications.

### Key Benefits

- Flexible protection, control, and communication options to suit low voltage motor applications
- Small footprint designed specifically for IEC and NEMA MCC applications
- Integrated pushbuttons and LED indicators reduce external components and wiring
- Flexible DIN rail mounting
- Multiple communication protocols allows simple integration into monitoring and control systems.
- Optional control panel provides local control
- Universal device for all motor power ratings
- No CTs required for less than 5A motor ratings
- Thermistor input to monitor the ambient or motor temperature
- Support for Hand Held Display (HHD) that provides a graphical color local interface allowing local operators to view and change setting files and quickly access relay diagnostic information

### Applications

- Low Voltage Three-Phase Motors
- MCC and standalone Panel Mount Applications
- IEC and NEMA Motor Control Center (MCCs)
- Process control applications
- System architecture requiring multiple simultaneous communications
- FVNR, FVR, two speed



## Protection and Control

- Motor Thermal Model
- Undercurrent & Current Unbalance
- Acceleration Time
- Sensitive Ground Fault
- Built-in Starter Logic
- FVNR, FVR, Two-Speed
- Auto / Manual Control
- Configurable Inputs
- Power Fail Restart

## Metering & Monitoring

- Current, Motor Loads, Thermal Capacity
- Motor Running Time, Cause of Trip, Total Number of Trips
- 1A / 5A combined CT inputs

## Communications

- Networking through RS485
- Multiple protocols - Modbus RTU ODVA  
Compliant DeviceNet Internally powered  
Profibus
- Simultaneous Communications

## EnerVista™ Software

- Simplify setup and configuration
- Strong document archive and management system
- Simplify full featured monitoring and data recording
- Strong maintenance and troubleshooting tool
- Seamless integration toolkit

## Protection and Control

The MM200 is a digital motor protection and control system, designed for Low Voltage motor applications. Compact and powerful, the MM200's protection can be scaled to the specific requirements of your system.

### Motor Thermal Model

To provide optimal protection and maximize run time, the MM200 employs an advanced thermal model, consisting of four key elements:

- Overload Curves
- Hot/Cold Safe Stall Ratio
- Motor Cooling Time Constants
- Thermal protection reset

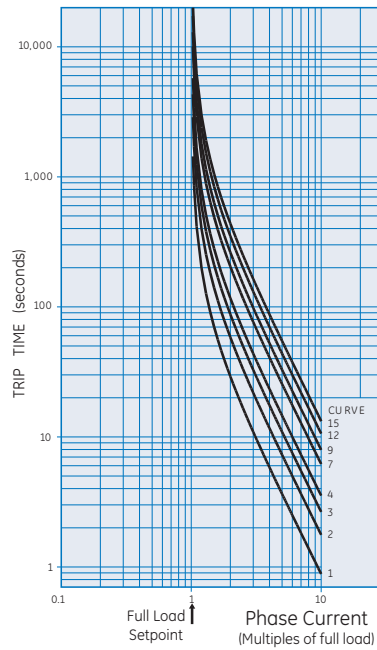
### Overload Curves

The MM200 thermal model can be programmed with one of 15 standard overload curves.

When properly selected to match the motor manufactures thermal damage curves, the MM200 overload curve and Overload Pickup Level will determine the thermal capacity accumulated within the motor.

### Hot / Cold Safe Stall Ratio

This ratio defines the steady state level of thermal capacity used (TCU) by the motor. This level corresponds to normal operating temperature of a fully loaded motor and will



15 Standard Curves available in the MM200

be adjusted proportionally if the motor load is lower then rated.

### Motor Cool Time Constants

When the MM200 detects that the motor is running at a load lower then the overload pickup setpoint or the motor is stopped, it will start

reducing the TCU value exponentially, based on the programmed cool time constants. As cooling occurs at different rates for stopped and running motors, two separate constants are used.

### Mechanical Jam and Acceleration Time

These two elements are used to prevent motor damage during abnormal operating conditions such as driven load jams and excessively long acceleration times

### Ground Fault

This function is designed to protect motors against phase to ground faults. The MM200 comes with one ground CT input intended for Core balance (Zero sequence) protection.

### Current Unbalance

In addition to the Thermal model, current unbalance is available in the MM200 relay as an independent element with a built-in single phasing detection algorithm.

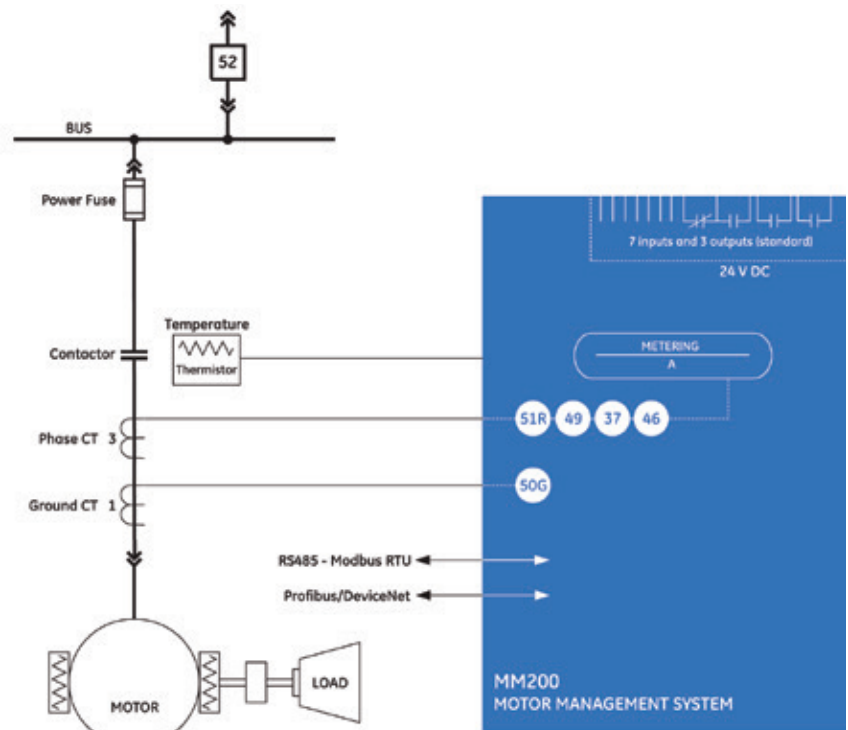
### Undercurrent Protection

Undercurrent protection is standard in the MM200. providing additional protection while the motor is in the running state and any of the phase currents drop below the defined pick-up level for the duration specified.

## Functional Block Diagram

### ANSI® Device Numbers & Functions

DEVICE NUMBER	FUNCTION
37	Undercurrent
46	Current Unbalance
49	Thermal Overload
50G	Ground Instantaneous Overcurrent
51R	Locked/Stalled Rotot, Mechanical Jam



## Power Fail Restart

The MM200 supports a Power Fail Restart element (PFR), which provides an undervoltage motor restart after a momentary power loss (dip). The undervoltage condition is detected by a digital input associated with an externally mounted voltage relay.

The PFR in combination with a voltage relay provides an undervoltage motor restart solution in applications such as; oil and gas, where process uptime is critical to the overall operation of the facility.

## Thermistor

A single input from a motor winding thermistor is provided with the MM200. The MM200 can accept both positive temperature coefficient (PTC) and negative temperature coefficient (NTC) sensors. A thermistor level can be selected for both alarm and trip.

## Monitoring and Metering

The MM200 includes high accuracy metering of current signals. Current parameters are available as total RMS magnitude.

## Digital Counters

The MM200 provides ten digital counters to aid in system analysis. The digital counters can be used for scheduling inspections on equipment, performing qualitative analysis of system problems and spotting trends.

## Learned Data

Monitoring the motor's operating characteristics assists in determining the motor start parameters and is a critical tool for determining the operating characteristics of the system, motor and connected load.

## Advanced Device Health Diagnostics

The MM200 performs comprehensive device health diagnostic tests during startup and continuously at runtime to test its own major functions and critical hardware. These diagnostic tests monitor for conditions that could impact the MM200's performance, evaluate the criticality of this impact and present device status via SCADA communications. Providing continuous monitoring and early detection of possible issues helps improve system availability by employing predictive maintenance

## Communications

The MM200 utilizes the most advanced communications technologies available today making it an easier and more flexible motor protection relay to use and integrate into new and existing infrastructures. Multiple communication ports and protocols allow control and easy access to information from the MM200. All communication ports are capable of communication simultaneously.

The MM200 supports the most popular industry standard protocols enabling easy, direct integration into HMI and electrical SCADA systems. Modbus RTU is provided standard with a RS485 networking port. The following optional protocols and communication ports are available:

- Fieldbus Protocol with dedicated port
  - ODVA compliant DeviceNet
  - Internally powered Profibus

### Profibus DP

Providing a high degree of communication flexibility, the MM200 supports both Profibus DP-V0 and DP-V1. Profibus DP-V0 provides high-speed cyclic data exchange between distributed field devices and the Profibus master. In addition to the high-speed cyclic data communication with DP-V0, DP-V1 provides communication of acyclic data information between the slaves and the engineering workstation, which allows for independent diagnosing and fine-tuning of each slave on the network.

### Rapid Device Replacement

The MM200 supports Rapid Device Replacement, which is compatible with DeviceNet scanners that use Automatic Device Replacement (ADR) functionality. When Rapid Device Replacement is used in DeviceNet networks, this allows rapid change of MM200 devices with minimum process interruption.

When using Rapid Device Replacement, the MM200 can be replaced without the need to manually configure settings. The DeviceNet scanner will automatically recognize a new device and download the key protection, control and communication settings from the original MM200, reducing process downtime and manual setting file configuration.

## EnerVista™ Software

The EnerVista™ Suite is an industry-leading set of software programs that simplifies every aspect of using the MM200 relay. The EnerVista™ suite provides all the tools to monitor the status of the protected asset, maintain the relay, and integrate information measured by the MM200 into DCS or SCADA monitoring systems.

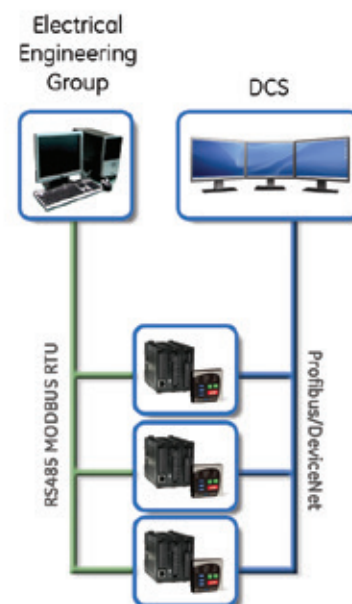
### EnerVista™ Launchpad

EnerVista™ Launchpad is a powerful software package that provides users with all of the setup and support tools needed for configuring and maintaining Multilin products. The setup software within Launchpad allows configuring devices in real-time by communicating using serial, Ethernet, or modem connections, or offline by creating setting files to be sent to devices at a later time.

Included in Launchpad is a document archiving and management system that ensures critical documentation is up-to-date and available when needed. Documents made available include:

- Manuals
- Application Notes
- Guideform Specifications
- Brochures
- Wiring Diagrams
- FAQs
- Service Bulletins

MM200 Dual Architecture Communication



## Viewpoint Monitoring

Viewpoint Monitoring is a simple-to-use and full-featured monitoring and data recording software package for small systems. Viewpoint Monitoring provides a complete HMI package with the following functionality:

- Plug & Play Device Monitoring
- System Single-Line Monitoring & Control
- Annunciator Alarm Screens
- Trending Reports
- Automatic Event Retrieval
- Automatic Waveform Retrieval

## Viewpoint Maintenance

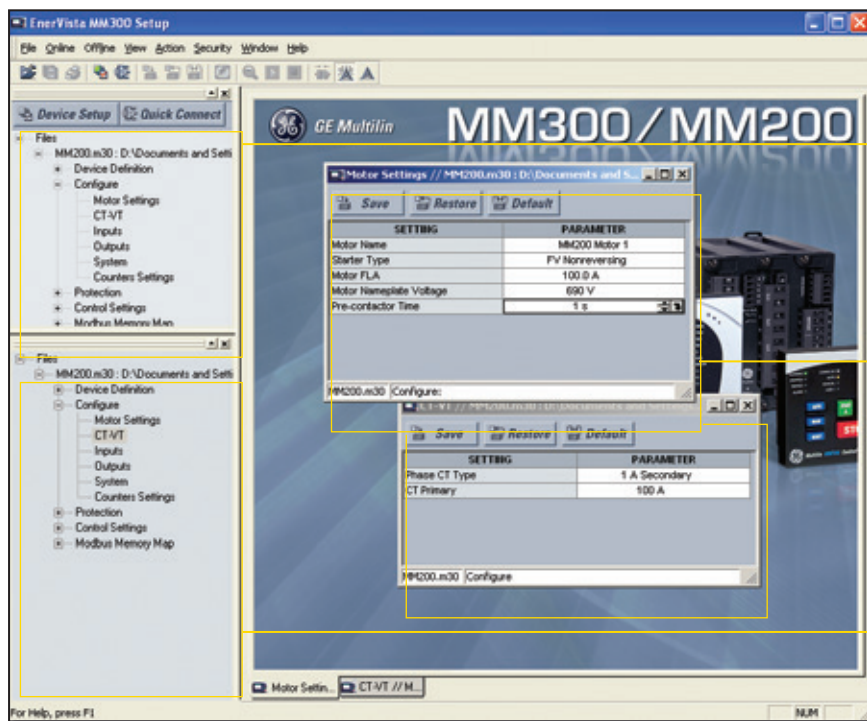
Viewpoint Maintenance provides tools that will create reports on the operating status of the relay, simplify the steps to download fault and event data, and reduce the work required for cyber-security compliance audits.

## EnerVista™ Integrator

EnerVista™ Integrator is a toolkit that allows seamless integration of Multilin devices into new or existing automation systems. Included in EnerVista™ Integrator is:

- OPC/DDE Server
- Multilin Drivers
- Automatic Event Retrieval
- Automatic Waveform Retrieval

## EnerVista MM200 Set-up



### Online Device Window:

- Online communication to device
- Relay designation
- Online configuration of all relay setpoints
- Communication to multiple devices
- Copy online settings to files offline

### Active Settings Window:

- Simple drop down menu options for setting parameters
- Detailed view parameter set points

### Offline File Window:

- Create setting file templates
- Copy and paste settings from one relay to another
- Copy offline settings to online devices

EnerVista setup software simplifies every aspect of using the MM200 relay. The EnerVista suite provides all the tools required to configure monitor & maintain the relay. Advanced communications support ensures easy integration into new or existing DCS scada systems.


## User Interface

**Front Panel Controls**

- Integrated Device Controls

**12 LED Indicators:**

- Motor Status
- Alarm Indication & trip
- Communication Status
- Additional user LEDs
- Auto/Manual
- % Motor Load



**Optional Fieldbus Protocols**  
(Profibus or DeviceNet)

**Power Supply and Digital Inputs:**

- 24 VDC Power Supply
- 7 x 24 VDC Inputs (wet)
- 60-300VAC Power Supply
- 6x AC Inputs

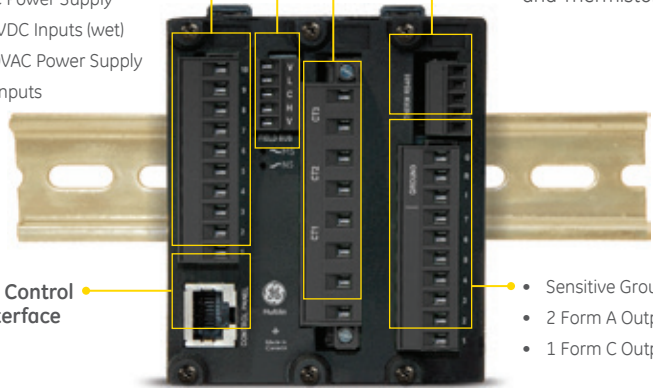
**Optional Control Panel Interface**

**3 Phase CT Inputs**

**RS485 Communications and Thermistor Input**

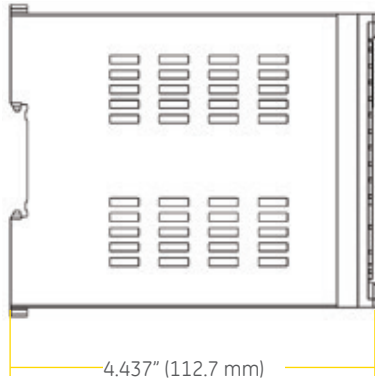
**Sensitive Ground Fault**

- 2 Form A Outputs (5 Amps)
- 1 Form C Outputs (5 Amps)

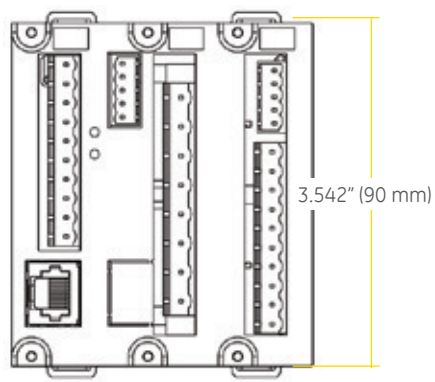


## Dimensions

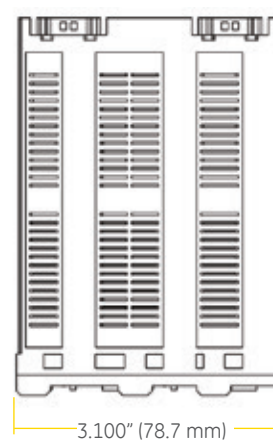
Side View



Front View



Top View



## HandHeld Display (HHD)



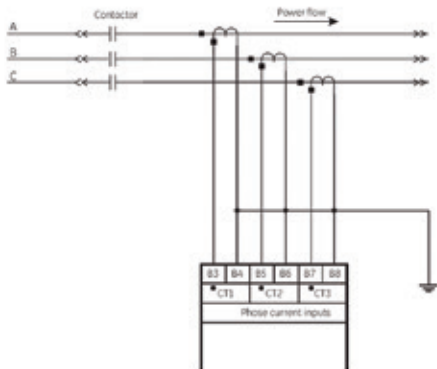
The Hand Held Display (HHD) provides a rugged local interface for MM200 Motor Protection Systems where a local display is not used in the MCC.

The HHD provides a graphical color local interface to the MM200 Motor Protection Systems allowing local operators to view and change setting files and quickly access relay diagnostic information.

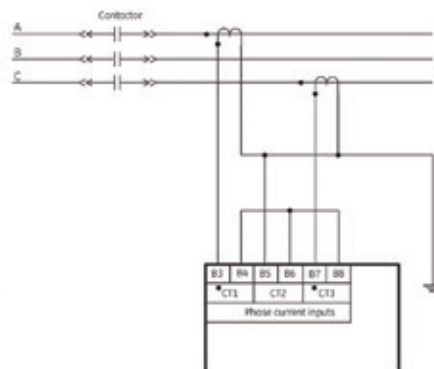
The HHD provides a clear and detailed view of all motor settings, diagnostic information and metering data available in the MM200 allowing local operators to make informed decisions on the motors operation.

## Wiring Diagrams

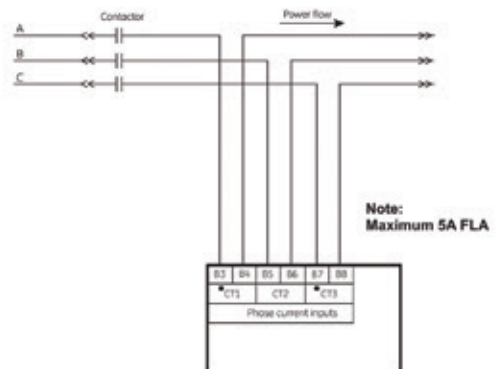
Three Phase CT Connection



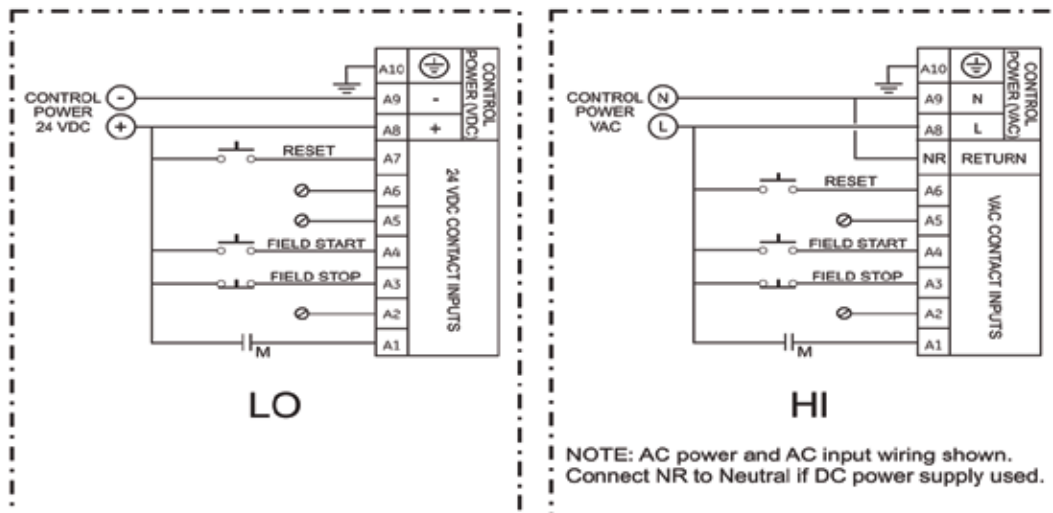
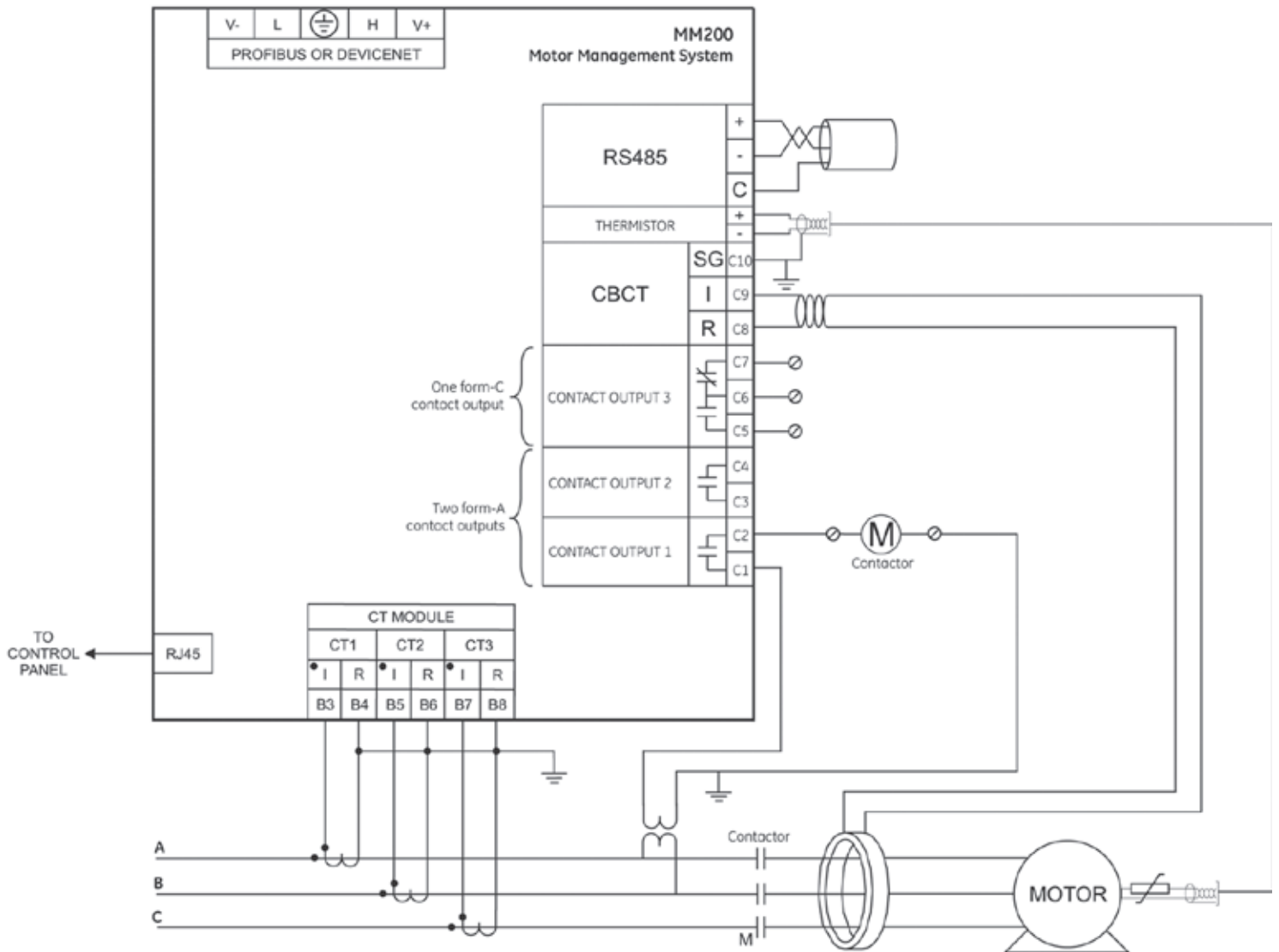
Two Phase CT Connection



Direct Connection



Wiring Diagrams (Cont)



# Technical Specifications

## INPUTS

PHASE CURRENT INPUTS	
CT Primary:	0.5A to 1000A
CT Secondary:	1A or 5A (Both supported as standard)
Burden:	0.2VA
Conversion Range:	0.2 to 40 A (8x CT)
Nominal Frequency:	50/60 Hz
Frequency Range:	40-70 Hz
Accuracy: (Ext CT)	2% of injected or 1% of 8xCTP
Accuracy: (Direct)	2% of injected or 0.1A
CT Withstand:	0.2 seconds at 100 x rated current 1.0 second at 50 x rated current 2.0 seconds at 40 x rated current continuous at 3 x rated current (40DegC)

## SENSITIVE GROUND CURRENT INPUT

CT Primary:	0.5A to 15A
Conversion Range:	0.5A to 15A, 2000:1 CBCT
Accuracy:	0.1A (0.5A to 3.99A) 0.2A (4.0A to 15A)

## DIGITAL INPUTS X7

Fixed Threshold:	24VDC
Recognition Time:	2 cycle recognition
Continuous Current Draw:	4mA

Type:	Opto-isolated inputs
External Switch:	Wet Contact
Max. Inputs Voltage:	30VDC

## DIGITAL INPUTS (HI)

Nominal voltage:	120 V AC to 240 V AC
Recognition time:	2 cycles
Continuous current draw:	4 mA @ 120 V AC, 8 mA @ 240 V AC
Type:	opto-isolated inputs
External switch:	wet contact
Voltage range:	65 V AC to 300 V AC

## OUTPUTS

Configuration:	Electromechanical 2 x Form-A and 1 x Form-C
Contact Material:	Silver alloy
Operate Time:	10ms
Minimum Contact Load:	10mA at 5Vdc
Maximum Switching Rate:	300 ops / min (no load), 30 ops per min (load)
Mechanical Life:	10,000,000 ops
Continuous Current:	5 A at 60°C
Make and Carry for 0.2s:	30A per ANSI C37.90

## OUTPUT RELAY BREAK CAPACITY (FORM\_A)

AC resistive, 120Vac:	5A
AC resistive, 240Vac:	5A
AC inductive, 240VAC, PF = 0.4 pilot duty:	240VA
DC resistive, 30Vdc:	5A

## OUTPUT RELAY BREAK CAPACITY (FORM\_C)

AC resistive, 120Vac:	5A (NO) 5A (NC)
AC resistive, 240Vac:	5A (NO) 8A (NC)
AC inductive, 240VAC, PF = 0.4 pilot duty:	2 40VA
DC resistive, 30Vdc:	5A

## POWER SUPPLY SPECIFICATIONS

POWER SUPPLY (LO RANGE)	
Nominal:	24 V DC
Range:	18 to 36 V DC
Power Consumption:	10 W typical
POWER SUPPLY (HI RANGE)	
Nominal:	120 to 240 V AC; 125 to 250 V DC
Range:	60 to 300 V AC (50 and 60 Hz); 84 to 250 V DC
Power consumption:	10 W typical
Voltage withstand:	2 x highest nominal voltage for 10 ms

## PROTECTION

THERMAL MODEL	
Standard Curve:	1 to 15 in steps of 1
Time Multiplier:	
Thermal Overload Pickup:	1.01 to 1.25 in steps of 0.01 x FLA
Motor Full Load Current (FLA):	0.5A to 1000A step 0.1A
Motor Rated Voltage:	100Vac - 690Vac
Curve Biasing:	Hot/Cold Curve Ratio Stopped / Running Cool Rate Exponential

Stopped/Running Time Cool Constants Decay:	
Hot/Cold Safe Stall Ratio:	1% to 100% steps 1%
Timing Accuracy:	±500 ms
Elements:	Trip and Alarm

## CURRENT UNBALANCE

Unbalance:	(Imax - Iav) / Iav, if Iav >= Ifla (Imax - Iav) / Ifc, if Iav < Ifla 4% to 40% steps of 1%
------------	--

## Range/Pickup Level:

Time Delay:	1 to 60s in steps of 1
Pickup Accuracy:	±2%
Timing Accuracy:	±500ms
Elements:	Trip and Alarm

## UNDERCURRENT

Pickup Level:	1 to 100% of FLC
Time Delay:	1 to 60 s in steps of 1
Timing Accuracy:	±500ms
Elements:	Trip and Alarm

## MECHANICAL JAM

Pickup Level:	1.01 to 4.50 of FLA in steps of 0.01
Time Delay:	0.1 to 30.0s in steps of 0.1
Timing Accuracy:	±500ms
Elements:	Trip

## GROUND FAULT

Pickup Level:	0.5 to 15.0A in steps 0.1 (CBCT) 0 to 10s in steps 0.1s (start) 0 to 5s in steps 0.1s (run) Alarm time delay on start/run: 0 to 60s in steps of 1s +100ms or ±0.5% of total time Trip and Alarm
Timing Accuracy:	
Elements:	Trip and Alarm

## ACCELERATION TIMER

Pickup:	Iav > Icuttoff
Dropout:	Iav < Ipu or Timer expired
Time Delay (force to running if expired):	0.5 to 250.0 s in steps of 0.1 0 to 5s in steps 0.1s (run)
Timing Accuracy:	±500ms or ±1.5% of total time
Elements:	Trip and Alarm

## CERTIFICATION

ISO:	Manufactured under an ISO9001 registered system
CE	conforms to EN60255-5, EN60255-27, EN60255-26, EN50263
cULus	UL508 / UL1053 / C22.2.No 14

## TYPE TESTS

Dielectric voltage withstand:	EN60255-5
Impulse voltage withstand:	EN60255-5
Damped Oscillatory Discharge:	IEC 61000-4-18 / IEC 60255-22-1
Electrostatic Discharge:	EN61000-4-2 / IEC 60255-22-2
RF immunity:	EN61000-4-3 / IEC 60255-22-3
Fast Transient Disturbance:	EN61000-4-4 / IEC 60255-22-4
Surge Immunity:	EN61000-4-5 / IEC 60255-22-5
Conducted RF Immunity:	EN61000-4-6 / IEC 60255-22-6
Power Frequency Immunity:	EN61000-4-7 / IEC 60255-22-7
Voltage interruption and Ripple DC:	IEC 60255-11
Radiated & Conducted Emissions:	CISPR11 / CISPR22 / IEC 60255-25
Sinusoidal Vibration:	IEC 60255-21-1
Shock & Bump:	IEC 60255-21-2
Siesmic:	IEC 60255-21-3
Power magnetic Immunity:	IEC 61000-4-8
Pulse Magnetic Immunity:	IEC 61000-4-9
Damped Magnetic Immunity:	IEC 61000-4-10
Voltage Dip & interruption:	IEC 61000-4-11
Damped Oscillatory Voltage Ripple:	IEC 61000-4-12
Ingress Protection:	IEC 61000-4-17
Environmental (Cold):	IEC 60529
Environmental (Dry heat):	IEC 60068-2-1
Relative Humidity Cycle:	IEC 60068-2-2
Safety:	IEC 60068-2-30
	UL508 / UL C22.2-14 / UL1053

## ENVIRONMENTAL

Temperature Range *:	
Ambient Operating:	-20°C to +60°C
Ambient Storage:	-40°C to +90°C
Humidity:	Up to 90% non-condensing @ 55C
Pollution degree:	II
IP Rating:	Base Unit IP20, Control panel IP54

\*Temperature range based on 1" around base unit

## COMMUNICATIONS

SERIAL RS485	
Baud Rates:	Up to 115kbps
Parity:	None
Protocol:	Modbus® RTU/half duplex
Typical Distance:	1200m
Isolation:	2kV
DEVICE NET (COPPER)	
Modes:	Slave at 125, 250, 500 kbaud
Connector:	5 pin terminal
PROFIBUS (COPPER)	
Modes:	DP V0 Slave, up to 1.5MB
Connector:	5 pin terminal

DeviceNet CONFORMANCE TESTED™



Please refer to MM200 Motor Manager Instruction Manual for complete technical specifications.

## Ordering

MM200	*	X	*	*	*	Description
Control Panel	X					None Basic Control Panel, no USB
Power Supply	B		L			24 VDC 60 - 300 VAC
Communication			H		1	RS485 Modbus RTU + DeviceNet Slave
Protection					2	RS485 Modbus RTU + Profibus DP Slave Standard Protection & Control

IEC is a registered trademark of Commission Electrotechnique Internationale. IEEE is a registered trademark of the Institute of Electrical Electronics Engineers, Inc. Modbus is a registered trademark of Schneider Automation. NERC is a registered trademark of North American Electric Reliability Council. NIST is a registered trademark of the National Institute of Standards and Technology.

GE, the GE monogram, Multilin, FlexLogic, EnerVista and CyberSentry are trademarks of General Electric Company.

GE reserves the right to make changes to specifications of products described at any time without notice and without obligation to notify any person of such changes.

Copyright 2015, General Electric Company. All Rights Reserved.



imagination at work

GEA-12853-IE  
English  
150210