

Diaphragm Pressure Gauge

Model: PT124Y-620 (Screw Thread Connection)

Description

PT124Y-620 adopts high performance bourdon tube, designed with special shockproof configuration, high pressure endurance; it is suitable for the process pressure measuring of much machinery such as the homogenizer machine.

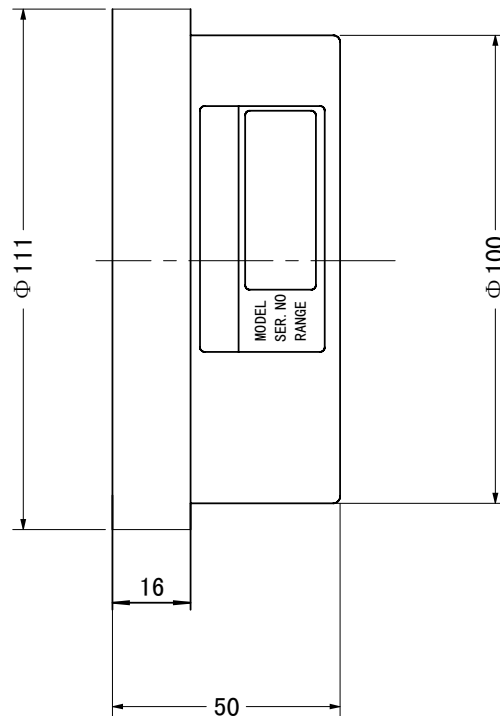
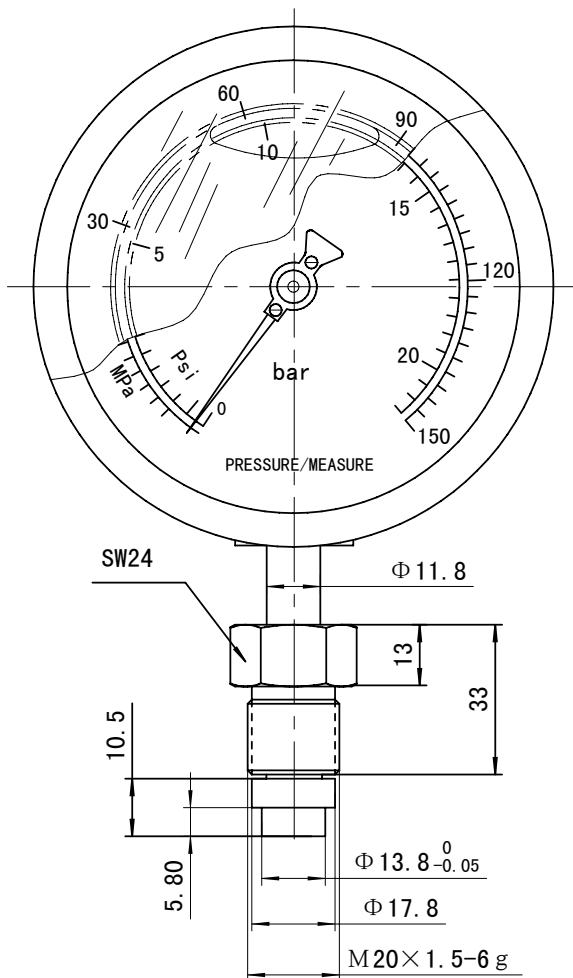
Application

- ◆ Homogenizer
- ◆ Mulser
- ◆ Crusher
- ◆ Food or other machinery

Feature

- ◆ Cost performance is good
- ◆ Mechanical design
- ◆ Install easily
- ◆ Good shockproof and corrosion prevention
- ◆ High reliability and good repeatability

Dimension

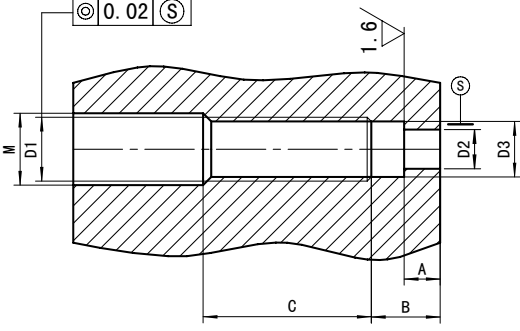
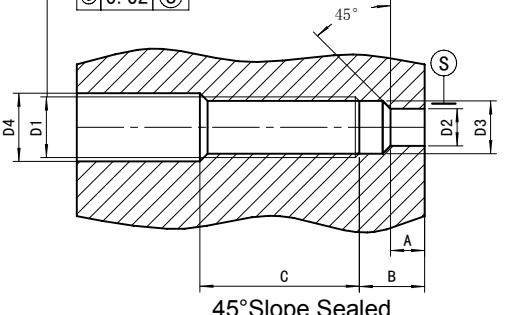


Diaphragm Pressure Gauge

Specification

| | |
|---------------------------|----------------------------|
| Range | 0~6bar~1500bar |
| Accuracy | ±1.6%FS |
| Configuration | Bourdon tube |
| Over Pressure | 1.5×FS |
| Dial Diameter | 100mm |
| Max Diaphragm Temperature | 125℃ |
| Process Connection | M20×1.5;M18×1.5 (Optional) |

Mounting hole

| | | | | | |
|-------------------------------------------------------------------------------------------------------------|----|---------|---------|-----------|---------|
|  <p>Planar Sealed</p> | D1 | M22×1.5 | M28×1.5 | G3/4" | PT3/8" |
| | D2 | Φ16.1 | Φ18.3 | Φ18.3 | Φ10.3 |
| | D3 | Φ20.1 | Φ26.1 | Φ24.2 | Φ14.9 |
| | M | Φ23 | Φ30 | Φ21 | Φ11 |
| | A | 11 | 12 | 12 | 14 |
| | B | 12 | 15 | 15 | 19 |
| | C | 40 | 35 | 35 | 40 |
|  <p>45° Slope Sealed</p> | D1 | M12×1.5 | M14×1.5 | 1/2-20UNF | M18×1.5 |
| | D2 | Φ8 | Φ8 | Φ8 | Φ10.1 |
| | D3 | Φ10.8 | Φ12.5 | Φ11.5 | Φ16.1 |
| | D4 | Φ12.5 | Φ14.5 | Φ13.1 | Φ20 |
| | A | 6 | 6 | 6 | 6.5 |
| | B | 9 | 9.5 | 9.5 | 10 |

Guide

| Model | Range | Output | Process connection | Other requirement |
|------------------------------------|-------|--------|--------------------|-------------------|
| PT124Y-620 | --- | none | --- | --- |
| Example: PT124Y-620-700Bar-M20×1.5 | | | | |

