

Diaphragm Pressure Gauge

Model: PT124Y-621 (Screw connection)

Description

PT124Y-621 adopts high performance bourdon tube, designed with special shockproof configuration, high pressure endurance, it is suitable for the process pressure measuring of the many machineries.

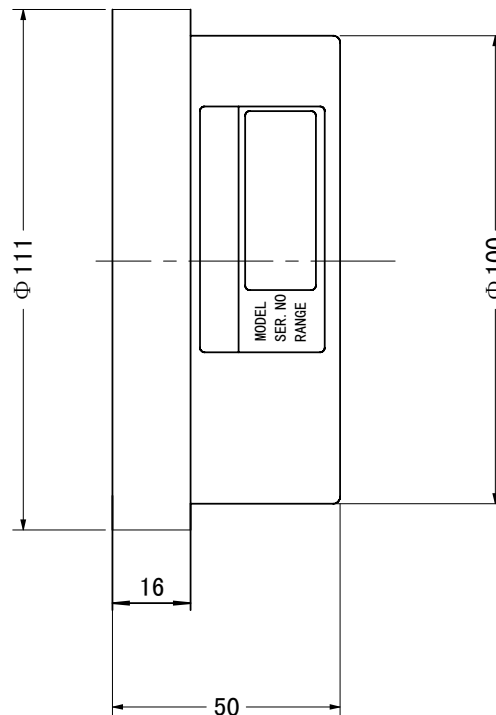
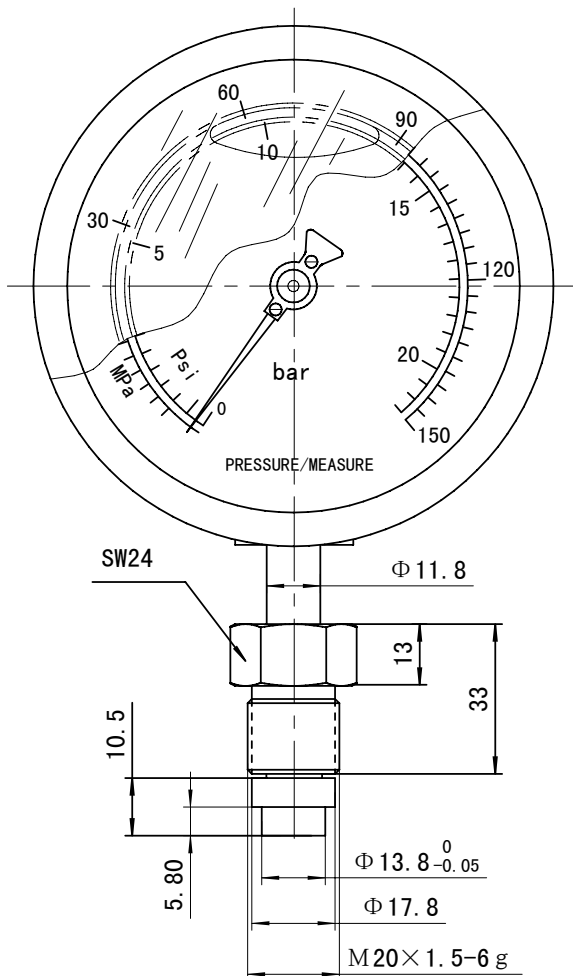
Application

- ◆ Homogenizer
- ◆ Mulser
- ◆ Crusher
- ◆ Other food machinery

Feature

- ◆ Cost performance is good
- ◆ Mechanical design
- ◆ Install easily
- ◆ Fill in silicon oil
- ◆ High reliability and good repeatability

Dimension

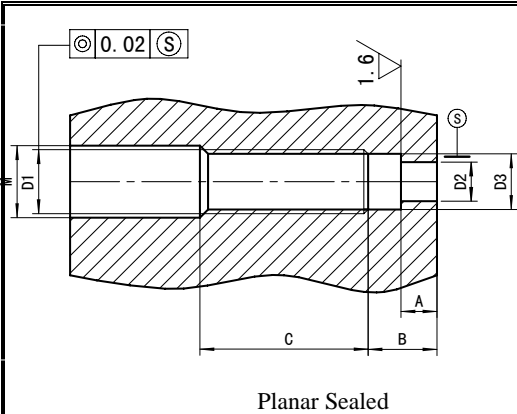
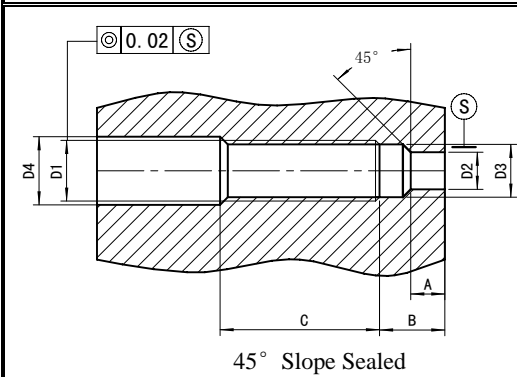


Diaphragm Pressure Gauge

Specification

Range	0....700bar to 0....1500bar
Accuracy	±1.6%FS
Configuration	Bourdon tube
Over Pressure	1.5×FS
Dial Diameter	100mm
Max Diaphragm Temperature	150°C
Process Connection	M20×1.5; M18×1.5 (Optional)

Mounting hole

 <p>Planar Sealed</p>	D1	M22×1.5	M28×1.5	G3/4"	PT3/8"
	D2	Φ 16.1	Φ 18.3	Φ 18.3	Φ 10.3
	D3	Φ 20.1	Φ 26.1	Φ 24.2	Φ 14.9
	M	Φ 23	Φ 30	Φ 21	Φ 11
	A	11	12	12	14
	B	12	15	15	19
	C	40	35	35	40
 <p>45° Slope Sealed</p>	D1	M12×1.5	M14×1.5	1/2-20UNF	M18×1.5
	D2	Φ 8	Φ 8	Φ 8	Φ 10.1
	D3	Φ 10.8	Φ 12.5	Φ 11.5	Φ 16.1
	D4	Φ 12.5	Φ 14.5	Φ 13.1	Φ 20
	A	6	6	6	6.5
	B	9	9.5	9.5	10

Ordering Guide

Model	Range	Output	Process connection	Other requirement
PT124Y-621	---	---	---	---
Example: PT124Y-621-700Bar-M20×1.5				

