

Diaphragm Pressure Gauge

Model: PT124Y-622 (Clamp Connection)

Description

PT124Y-622 adopts high performance imported bourdon tube, designed with special shockproof configuration, high pressure endurance; it is suitable for the process pressure measuring in the petroleum and chemistry equipment, fiber equipment, food machinery and so on.

Application

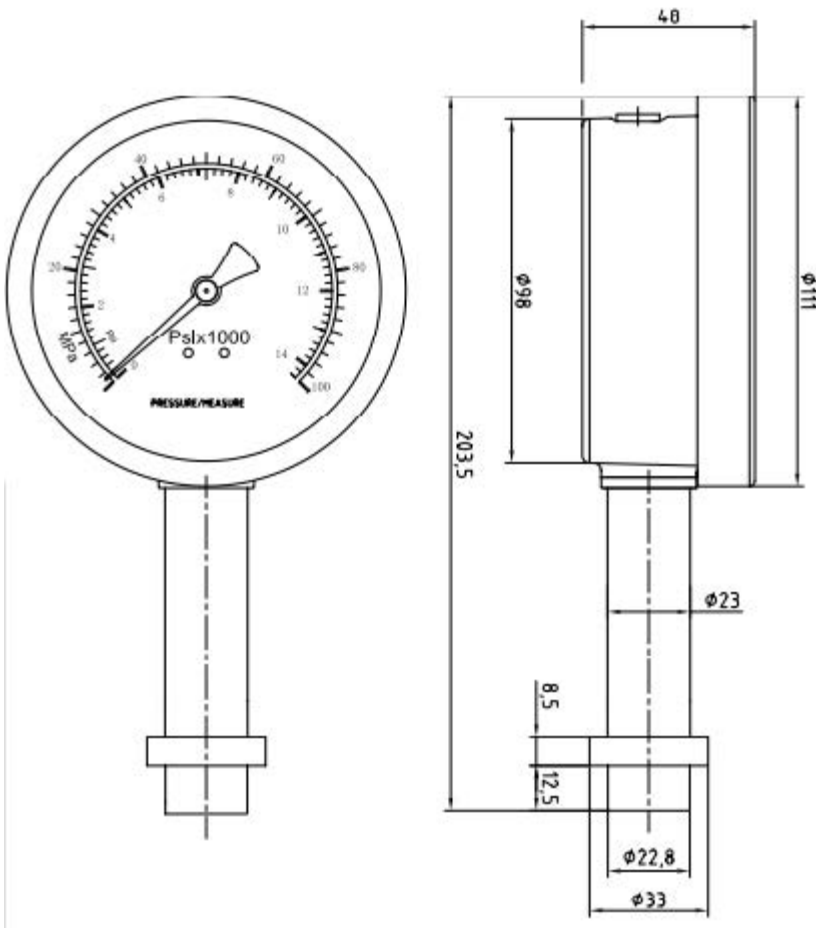
- ◆ Petroleum and chemistry equipment
- ◆ Fiber equipment
- ◆ Medicine
- ◆ Food machinery

Feature

- ◆ Cost performance is good
- ◆ Mechanical design
- ◆ Install easily
- ◆ Good shockproof and corrosion prevention
- ◆ High reliability and good repeatability



Dimension



Diaphragm Pressure Gauge

Specification

Range	0...0.6bar to 0...600bar
Accuracy	±1.6%FS
Configuration	Bourdon tube
Operating Temperature	-10~80℃
Over Pressure	1.5xFS
Dial Diameter	100mm
Max Diaphragm Temperature	125℃
Process Connection	Clamp (Optional)

Mounting hole

<p>Planar Sealed</p>	D1	M22×1.5	M28×1.5	G3/4"	PT3/8"
	D2	Φ 16.1	Φ 18.3	Φ 18.3	Φ 10.3
	D3	Φ 20.1	Φ 26.1	Φ 24.2	Φ 14.9
	M	Φ 23	Φ 30	Φ 21	Φ 11
	A	11	12	12	14
	B	12	15	15	19
	C	40	35	35	40
<p>45° Slope Sealed</p>	D1	M12×1.5	M14×1.5	1/2-20UNF	M18×1.5
	D2	Φ 8	Φ 8	Φ 8	Φ 10.1
	D3	Φ 10.8	Φ 12.5	Φ 11.5	Φ 16.1
	D4	Φ 12.5	Φ 14.5	Φ 13.1	Φ 20
	A	6	6	6	6.5
	B	9	9.5	9.5	10

Ordering Guide

Model	Range	Output	Process connection	Other requirement
PT124Y-622	---	none	---	---
Example: PT124Y-622-700Bar-Clamp				