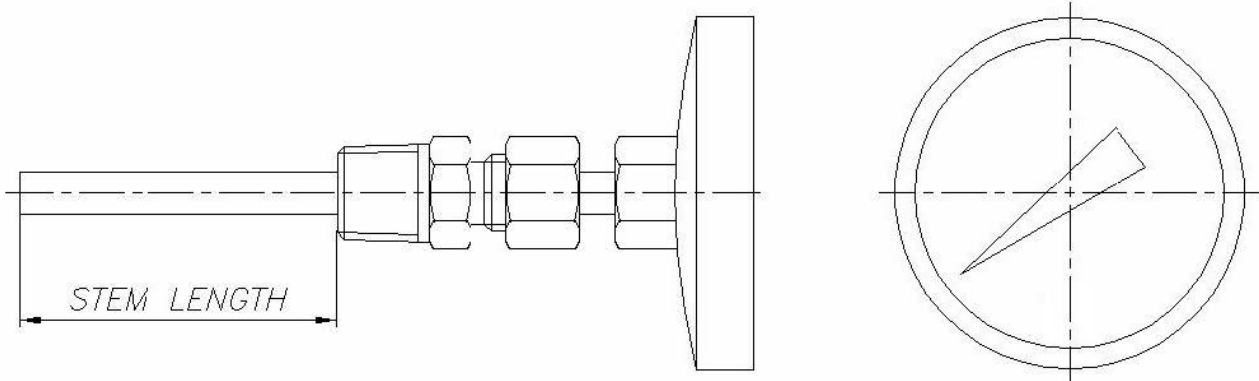


Bimetallic Thermometer



Specifications:

Head (dial size)	: 100mm (other head diameters available)
Material head and bezel	: SS 304
Window glass	: thickness 3mm, optional safety glass
Stem diameter	: 6 or 8 mm
Stem length	: to be specify in box
Stem material	: SS 304 or SS 316
Mounting method	: co-axial with threads with ½ inch G or ½ inch NPT (male)
Connection types	: S= fixed threaded connection : T= swivelling threaded connection : A= with out thread
Temperature range	: -70°C up till 600°C to be specify (see enclosed range)
Scale identification	: approx. 190mm for 100mm, 250mm for 130mm and 300mm for 160mm
Pointer	: aluminium alloy, black

The printing of the figures and divisions, conform to DIN standards. The antiparallax is made of printed or anodized aluminium.

On request DIN and CL. 1 or CL. 2 indicators can be printed on the dial.

Head size are available in 100mm, 130mm and 160mm

Temperature range: °C

-70 to + 50	0 to 60	0 to 200	0 to 400
-30 to + 70	0 to 100	0 to 250	0 to 500
-30 to + 170	0 to 120	0 to 300	0 to 500
-30 to + 270	0 to 160	0 to 320	0 to 600