



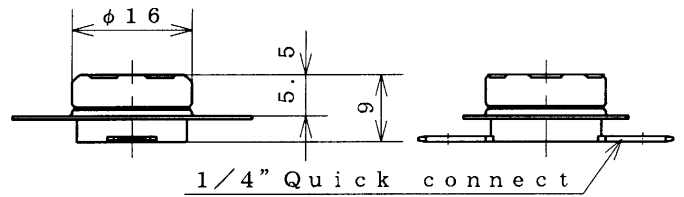
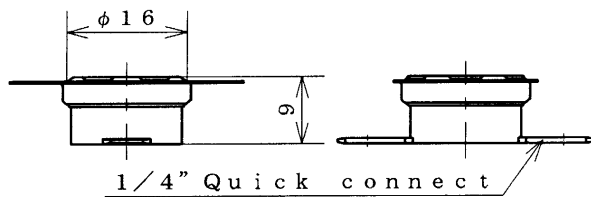
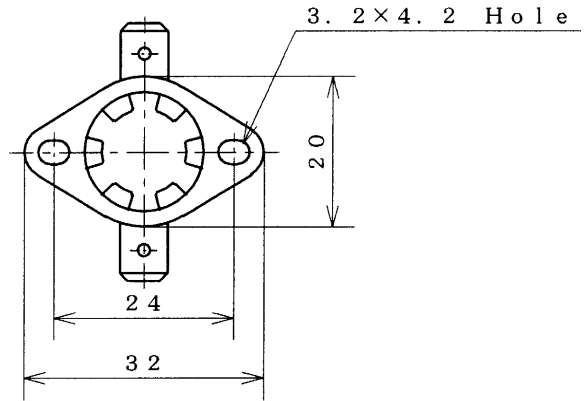
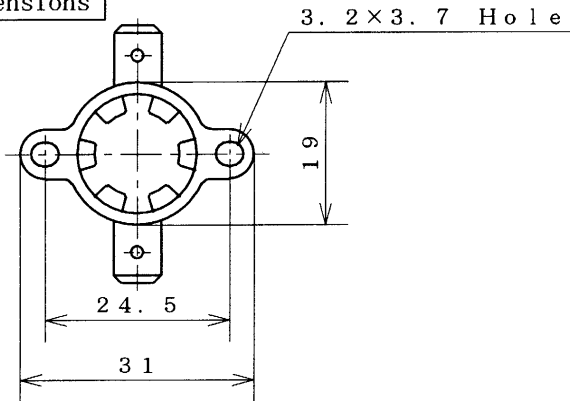
1/2" Disc Type Thermostat

Thin Type

Type 1 1 E N

UL·CSA·VDE
Recognized

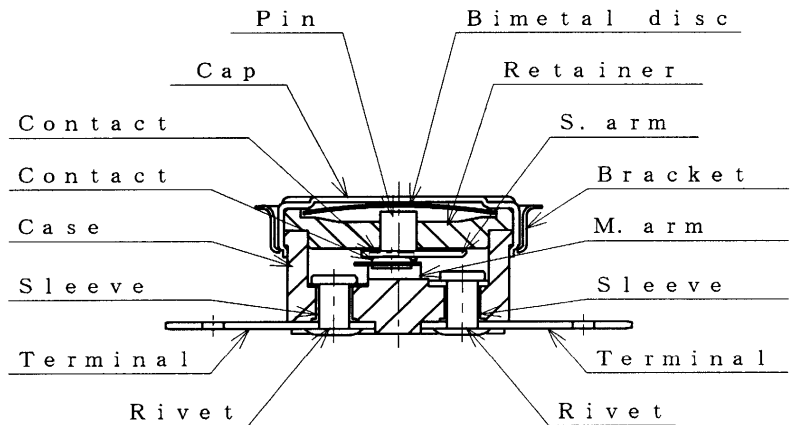
Dimensions



Materials of parts

Part	Material
Cap	Aluminum Copper Stainless steel
Case	Phenolic resin
M. arm	Beryllium Copper alloy
Terminals	Brass
Bracket	Stainless steel
Contacts	Silver-Nickel alloy

Structure



Specifications

Item	Specification
1. Basic features	SPST Automatic reset
2. Operation	A:Contacts open on temperature rise B:Contacts close on temperature rise
3. Electrical rating	AC125V/15A AC250V/10A
4. Calibration method	Hot & cold air circulation system
5. Temperature rating	Operating temperature Max. 150°C
6. Insulation resistance	Not less than 1000M Ω /DC500V
7. Dielectric strength	Not less than AC1500V/1min. or AC1800V/1sec.

Standard

UL 873 UL File No. E43273
 CSA C22.2 No. 24 CSA Report No. LR67165 LR67166
 DIN EN 60730-1,-2-9 VDE Licence No. 104140