



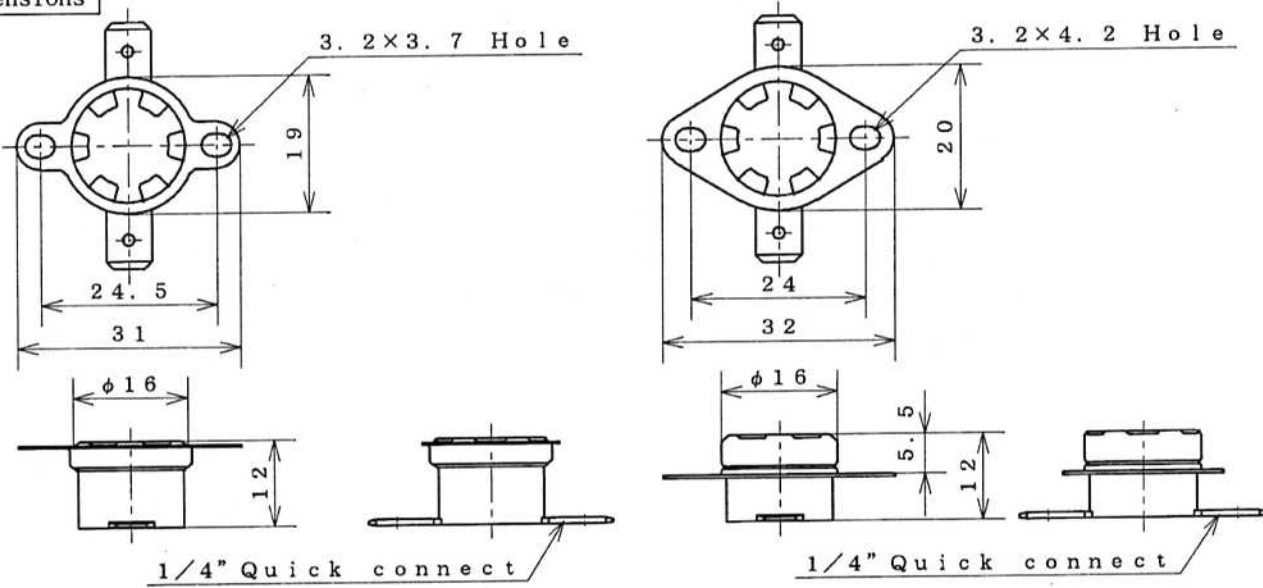
1/2" Disc Type Thermostat

Automatic Reset

Type 21EN

UL·C·UR·VDE
Recognized

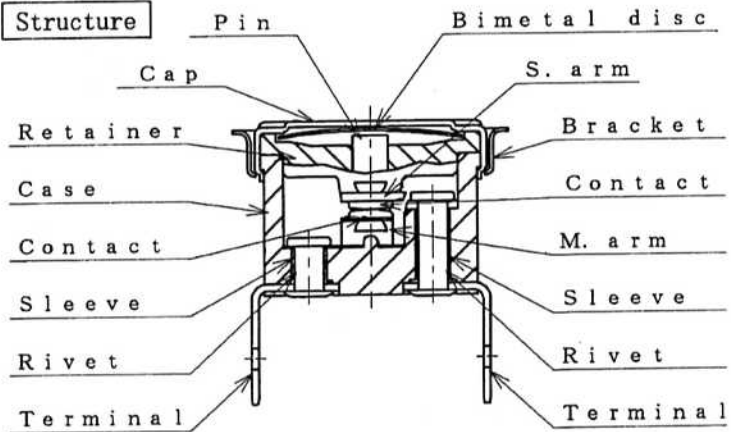
Dimensions



Materials of parts

Part	Material
Cap	Aluminum Copper Stainless steel
Case	Polyester resin
M. arm	Beryllium Copper alloy
Terminals	Brass
Bracket	Stainless steel
Contacts	Silver-Nickel alloy

Structure



Specifications

Item	Specification
1. Basic features	SPST Automatic reset
2. Operation	A:Contacts open on temperature rise B:Contacts close on temperature rise
3. Electrical rating	AC250V/16A 10,000 cycles AC250V/10A 100,000 cycles
4. Calibration method	Hot & cold air circulation system
5. Temperature rating	Operating temperature Max.180°C
6. Insulation resistance	Not less than 1000MΩ/DC500V
7. Dielectric strength	Not less than AC1500V/1min. or AC1800V/1sec.

Standard

UL·C·UR 873 C22.2 No.24 UL File No. E43273
DIN EN 60730-1,-2-9 VDE Licence No. 100896