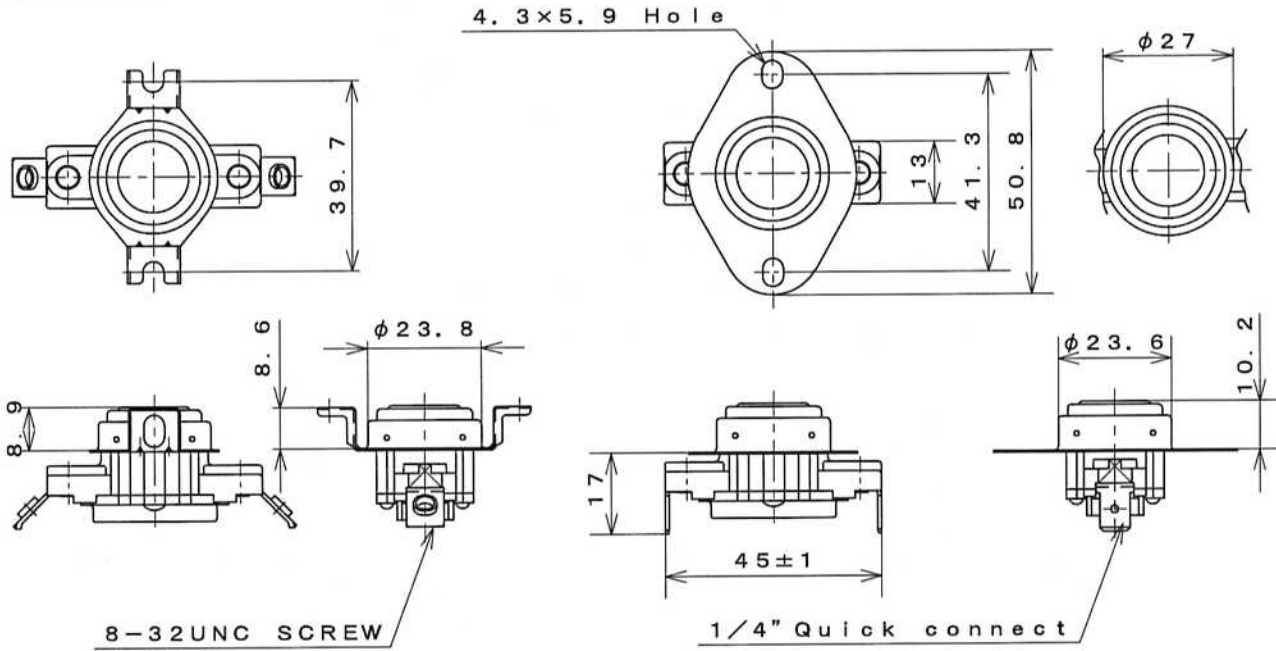


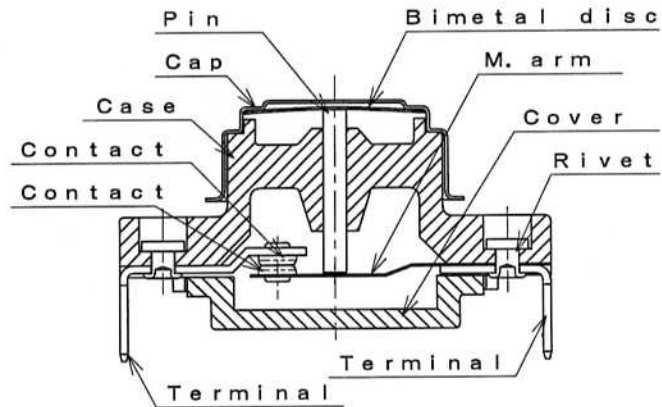
Dimensions



Materials of parts

Part	Material
Cap	Stainless steel
Case, Cover	Phenolic resin
M.arm	Beryllium Copper alloy
Terminals	Brass
Contacts	Silver-Nickel alloy

Structure



Specification

Item	Specification
1. Basic features	SPST Automatic reset
2. Operation	L : Contacts open on temperature rise F : Contacts close on temperature rise
3. Electrical rating	UL : AC250V/25A AC480V/13A C-UR : AC250V/25A AC480V/13A
4. Calibration method	Hot & cold air circulation system
5. Temperature rating	Operating temperature Max. 150°C
6. Insulation resistance	Not less than 1,000MΩ/DC500V
7. Dielectric strength	Not less than AC2,000V/2sec. (AC250V) AC3,600V/2sec. (AC480V)

Standard

UL, C-UR 60730-1, -2-9 UL File No. E201152